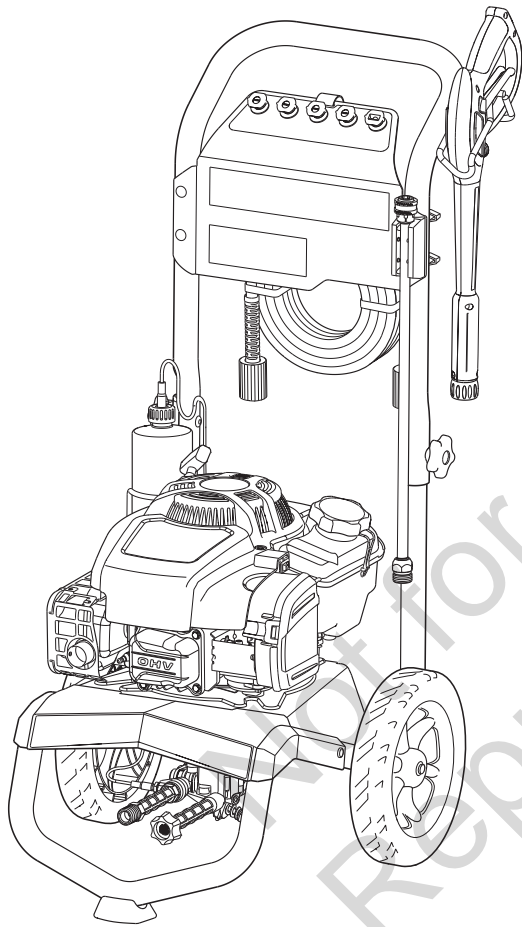




Pressure Washer Operator's Manual



Model Number _____

Revision _____

Serial Number _____

Date Purchased _____

Copyright © 2019. Briggs & Stratton Corporation
Milwaukee, WI, USA. All rights reserved.
Husqvarna® is a registered trademark of Husqvarna AB.
Used under license.
(877) 224-0458
www.husqvarna.com/us

Table of Contents





Symbols and Meanings 2
 Equipment Description 3
 Features and Controls 4
 Operation 6
 Maintenance 12
 Storage 15
 Troubleshooting 16
 Warranty 18









Register Your Product


To ensure prompt and complete warranty coverage, register your product online at www.onlineproductregistration.com.


Symbols and Meanings

Signal	Meaning
DANGER	Indicates a hazard which, if not avoided, <i>will</i> result in death or serious injury.
WARNING	Indicates a hazard which, if not avoided, <i>could</i> result in death or serious injury.
CAUTION	Indicates a hazard which, if not avoided, <i>could</i> result in minor or moderate injury.
NOTICE	Indicates information considered important, but not hazard-related.

Symbol	Name	Explanation
	Safety Alert Symbol	Indicates a potential personal injury hazard.
	Read Operator's Manual	Failure to follow warnings, instructions and operator's manual could result in death or serious injury.
	Toxic Fumes	Engine exhaust contains carbon monoxide, a poisonous gas that could kill you in minutes. You cannot smell it or see it.
	Fire	Fuel and its vapors are extremely flammable which could cause burns or fire resulting in death or serious injury. Engine exhaust could cause fire resulting in death or serious injury.

Symbol	Name	Explanation
	Fluid Injection	High-pressure water could cut through skin resulting in serious injury and possible amputation.
	Spray, Flying Objects	Risk of eye injury. Spray could splash back or propel objects resulting in serious injury.
	Hot Surface	Contact with muffler area could cause burns resulting in serious injury.
	Electric Shock	Contact with power source could cause electrical shock resulting in death or serious injury.
	Kickback	Recoil starter kickback will pull hand and arm toward engine faster than you can let go which could cause broken bones, sprains or bruises resulting in serious injury.
	Chemical Burn	Chemicals could cause burns resulting in death or serious injury.
	Slippery Surface/Fall	Slippery wet surfaces could cause you to fall resulting in death or serious injury.
	Fall	Kickback from spray gun could cause you to fall resulting in death or serious injury.

 **WARNING!** This product can expose you to chemicals including gasoline engine exhaust, which is known to the State of California to cause cancer, and carbon monoxide, which is known to the State of California to cause birth defects or other reproductive harm. For more information go to www.P65Warnings.ca.gov.

 **WARNING!** This product contains lead and lead compounds, known to the state of California to cause birth defects or other reproductive harm. Wash your hands after handling this product. Cancer and Reproductive Harm - www.P65Warnings.ca.gov.

Equipment Description



Read this manual carefully and become familiar with your product. Know its applications, its limitations, and any hazards involved. Save these original instructions for future reference.

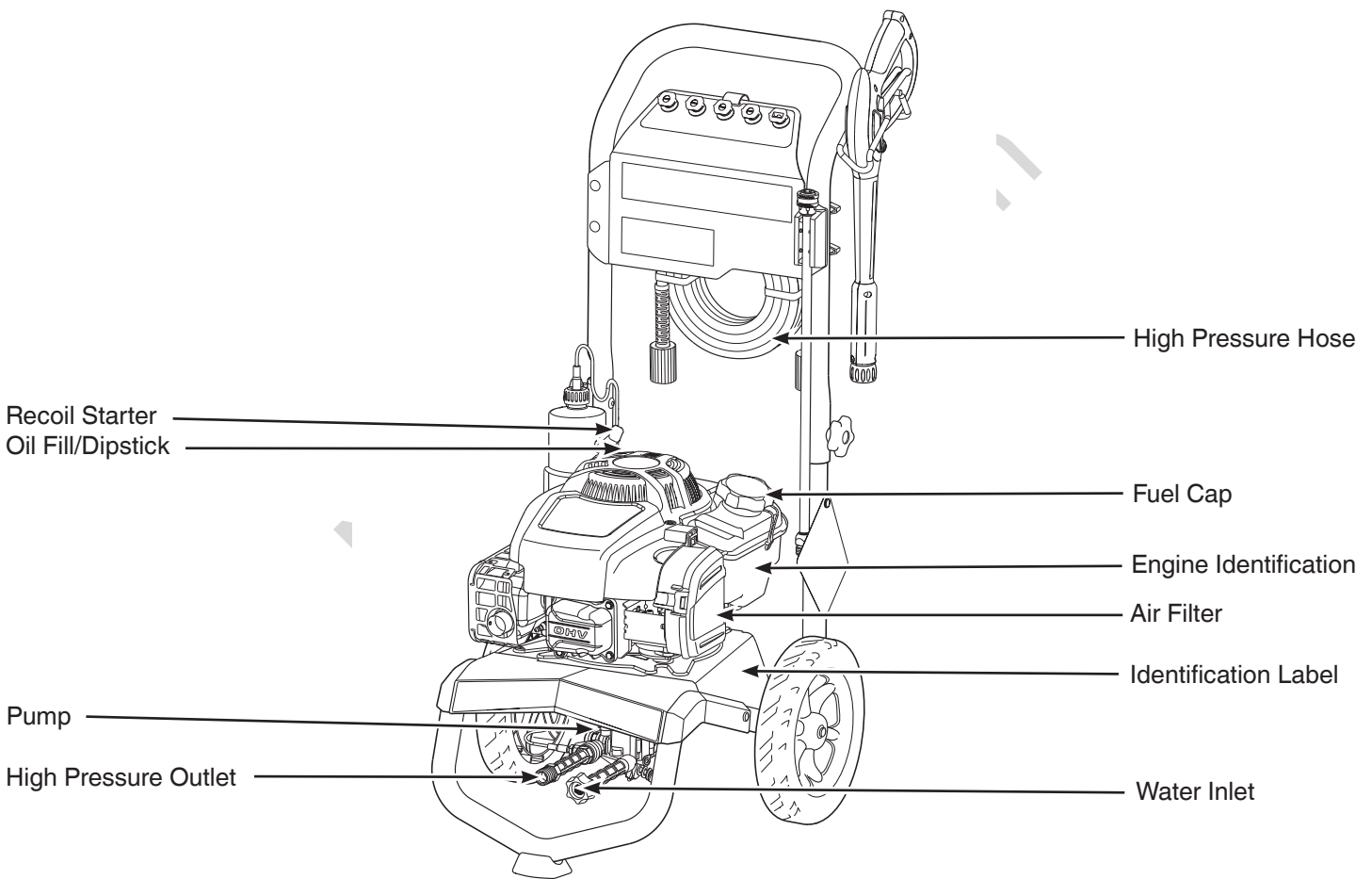
To aid in outdoor cleaning projects, this engine-driven, high-pressure cleaning machine uses a variety of spray tips and detergent.

Know how to stop the product and reduce pressure quickly. Keep operating area clear and do not allow children to operate pressure washer.

Stay alert—watch what you are doing. Do not operate pressure washer when fatigued or under the influence of alcohol or drugs.

Every effort has been made to ensure that information in this manual is accurate and current. However, we reserve the right to change, alter, or otherwise improve the product and this document at any time without prior notice.

NOTICE If you have questions about intended use, contact an authorized service dealer. This equipment is designed to be used with Briggs & Stratton® authorized parts only.



Air Filter — Filters engine intake air.

Engine Identification — Provides model, type and code of engine.

Fuel Cap — Add unleaded fuel here.

High Pressure Hose — Connect one end to water pump and the other end to spray gun.

High Pressure Outlet — Connection for high pressure hose.

Identification Label — Provides model and serial number of pressure washer.

Oil Fill/Dipstick — Check, fill, and drain engine oil here.

Pump — Stainless steel piston, axial cam pump that develops high pressure.

Recoil Starter — Used to start the engine.

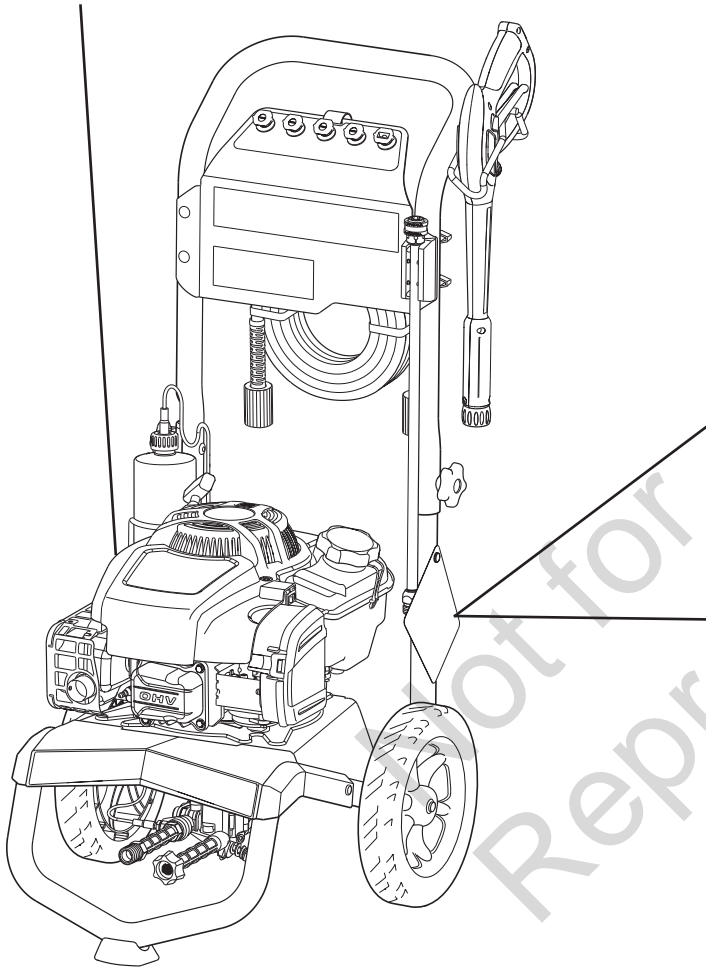
Water Inlet — Connection for garden hose.

Features and Controls

Compare the illustrations with your pressure washer to familiarize yourself with the locations of various controls and product warnings.

⚠ WARNING

Fire Hazard. Operation of this equipment may create sparks that can start fires around dry vegetation. A spark arrestor may be required. The operator should contact local fire agencies for laws or regulations relating to fire prevention requirements. 80008183



⚠ WARNING

Failure to read and follow the operator's manual, all warnings and operating instructions could result in death or serious injury.

Engine exhaust contains carbon monoxide, a poisonous gas that could kill you in minutes. You cannot see or smell it. Only use outside far away from windows, doors and vents.

Gasoline is flammable. Allow engine to cool at least 2 minutes before refueling. Do not spray flammable liquids.

High pressure could cut through skin. Never spray people. Spray gun traps high water pressure, even after engine is shut down and water is disconnected. Squeeze trigger, to release high pressure, every time engine stops.

Rapid retraction of starter cord (kickback) could pull hand and arm toward engine faster than you can let go. Pull starter cord slowly until resistance is felt and then pull rapidly to avoid kickback. Gun kicks back — Hold with both hands.

Spray could splash back or propel objects. Wear safety goggles and protective clothing. Safety glasses do not provide full protection.

Muffler could cause burns. Do not touch hot parts. Avoid hot exhaust gases.

Do Not Remove This Tag

See reverse side for operating instructions.

1

Check engine oil and gas.

2

Connect high pressure hose to gun and unit.

3

Connect garden hose to unit and water supply. Turn on water.

4

Point gun in safe direction, squeeze trigger to purge air from system.

5

Connect wand to gun and nozzle to wand.

6 ON (I)

Set engine switch to ON (I).

If equipped, press primer ball 3X.

7

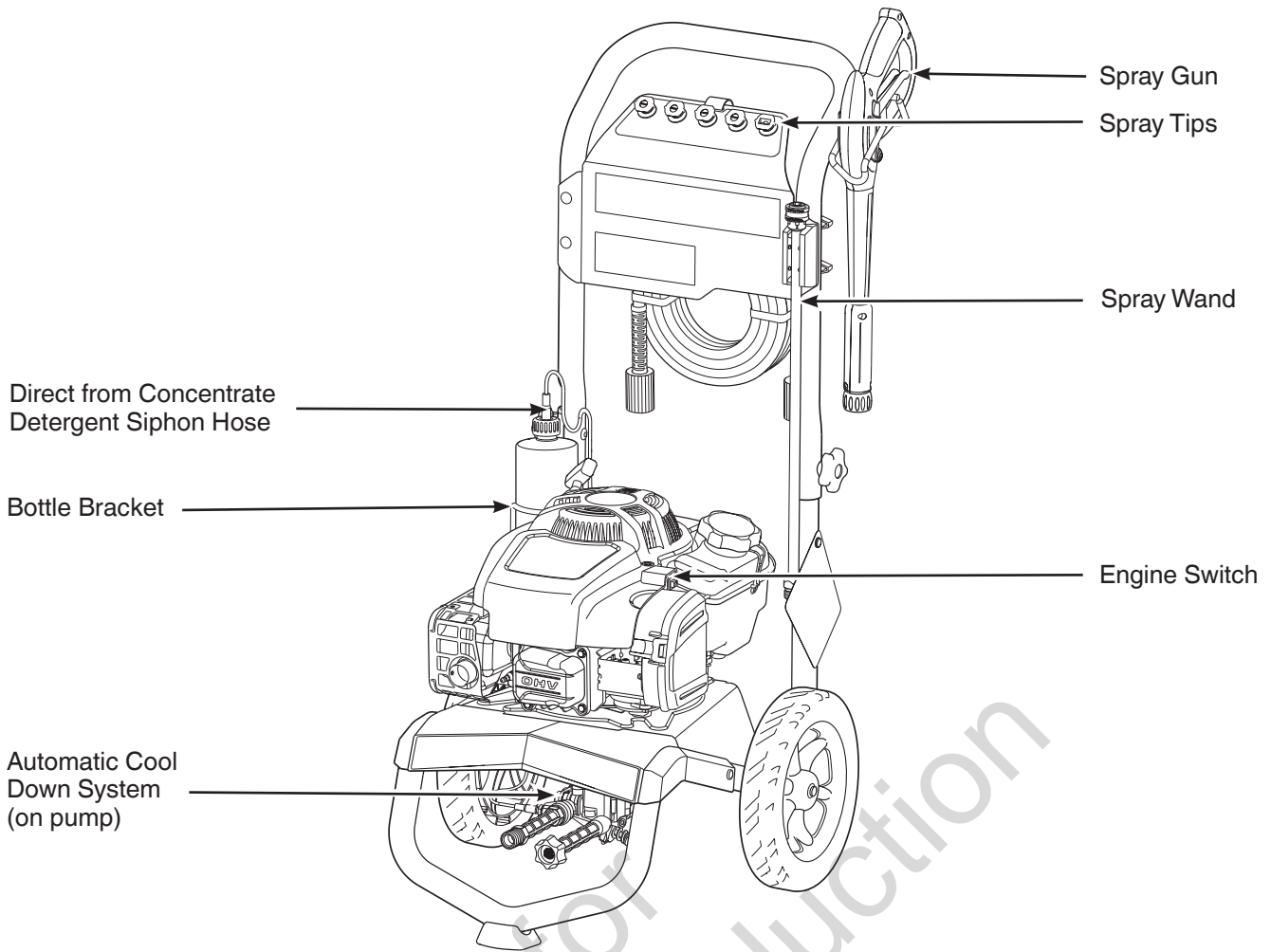
Push starter button or pull cord slowly until resistance is felt, then pull rapidly.

OFF (O)

Set engine switch to OFF (O).

Point gun in safe direction, squeeze trigger to release high pressure.

80079235



Automatic Cool Down System — Prevents internal pump damage by discharging warm water to the ground.

Bottle Bracket — Store direct from concentrate bottle here. Concentrate bottle not included.

Direct from Concentrate Detergent Siphon Hose — Attaches directly to detergent bottle. Siphons pressure washer detergent in low pressure stream.

Engine Switch — Set switch to ON (I) before starting engine. Set switch to OFF (O) to shut off engine.

Spray Wand — Allows you to switch between spray tips.

Spray Gun — Controls spray using trigger. Includes trigger lock.

Spray Tips — Multiple patterns for various cleaning applications.

Operation

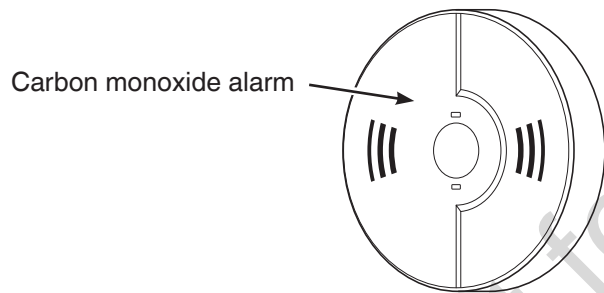
Step 1: Safe Location

Before starting the pressure washer, there are two equally important safety concerns regarding carbon monoxide poisoning and fire that must be addressed.

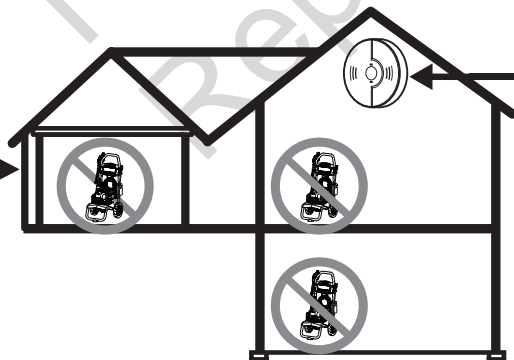
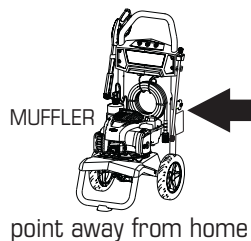
Operation Location to Reduce the Risk of Carbon Monoxide Poisoning

The engine exhaust of all fossil fuel burning equipment, such as a pressure washer, contains carbon monoxide, a poisonous gas that could kill you in minutes. You cannot smell it, see it, or taste it. Even if you do not smell exhaust fumes, you could still be exposed to carbon monoxide gas.

By law, it is required in many states to have a carbon monoxide alarm in operating condition in your home. A carbon monoxide alarm is an electronic device that detects hazardous levels of carbon monoxide. When there is a buildup of carbon monoxide, the alarm will alert the occupants by flashing a visual indicator light and an alarm. Smoke alarms cannot detect carbon monoxide gas.



USE OUTDOORS - AVOID CARBON MONOXIDE POISONING



CARBON MONOXIDE ALARM(S)

Install carbon monoxide alarms inside your home. Without working carbon monoxide alarms, you may not realize you are getting sick and dying from carbon monoxide poisoning.



WARNING! Engine exhaust contains carbon monoxide, a poisonous gas that could kill you in minutes. You cannot smell it, see it, or taste it.

Even if you do not smell exhaust fumes, you could still be exposed to carbon monoxide gas.

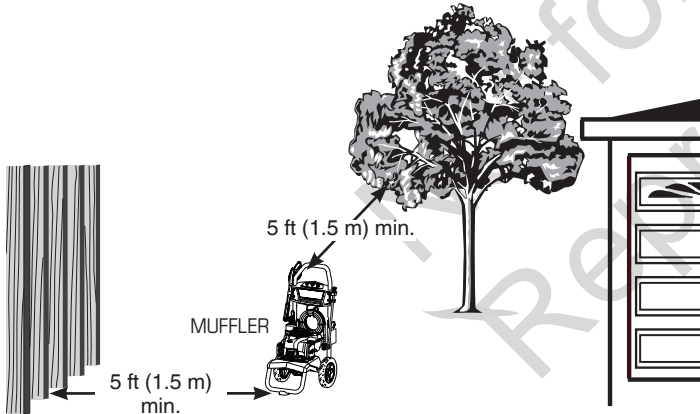
- Operate this product only outdoors, far away from windows, doors and vents to reduce the risk of carbon monoxide gas accumulating and the potential of being drawn towards occupied spaces.
- Install battery-operated carbon monoxide alarms or plug-in carbon monoxide alarms with battery back-up according to the manufacturer's instructions. Smoke alarms cannot detect carbon monoxide gas.
- Do not run this product inside homes, garages, basements, crawlspaces, sheds, or other partially-enclosed spaces even if using fans or opening doors and windows for ventilation. Carbon monoxide can quickly build up in these spaces and can linger for hours, even after this product has shut off.
- Point exhaust away from all homes and occupied spaces.
- If you start to feel sick, dizzy, or weak while using this product, get to fresh air right away. See a doctor. You may have carbon monoxide poisoning.

Operation Location to Reduce the Risk of Fire



WARNING! Exhaust heat/gases could ignite combustibles, structures or damage fuel tank causing a fire, resulting in death or serious injury.

- Pressure washer must be at least 5 ft. (1.5 m) from any structure, overhang, trees, windows, doors, and any wall opening, shrubs, or vegetation over 12 in. (30.5 cm) in height.
- Do not place pressure washer under a deck or other type of structure that may confine airflow. Smoke alarm(s) must be installed and maintained indoors according to the manufacturer's instructions /recommendations.
- Carbon monoxide alarms cannot detect smoke.
- It is a violation of California Public Resource Code Section 4442, to use or operate the engine on any forest-covered, brush-covered, or grass-covered land unless the exhaust system is equipped with a spark arrester, as defined in Section 4442, maintained in effective working order. Other states or federal jurisdictions may have similar laws, reference Federal Regulation 36 CFR Part 261.52.
- Contact the original equipment manufacturer, retailer, or dealer to obtain a spark arrester designed for the exhaust system installed on this engine.
- Replacement parts must be the same and installed in the same position as the original parts.



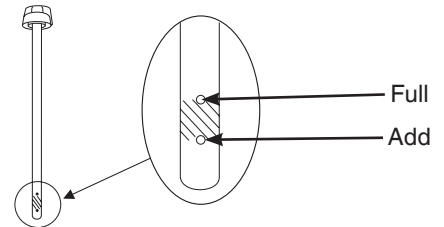
Step 2: Oil and Fuel

Check Oil Level



CAUTION! Avoid prolonged or repeated skin contact with used motor oil. Used motor oil has been shown to cause skin cancer in certain laboratory animals. Thoroughly wash exposed areas with soap and water.

1. Make sure pressure washer is on a level surface.
2. Clean the oil fill area of any debris.
3. Remove oil dipstick and wipe dipstick with clean cloth. Replace and tighten dipstick. Remove and check oil level.
4. Verify oil is at full mark (top hole) on dipstick. Replace and tighten dipstick.



5. If needed, see *Maintenance* section for instructions to add oil.

Add Fuel

Fuel must meet these requirements:

- Clean, fresh, unleaded fuel with a minimum of 87 octane.
- Gasoline with an ethanol content up to 10% is acceptable.

E10

E15

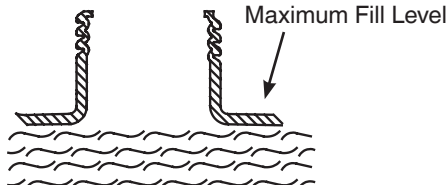
NOTICE Do not mix oil in fuel or modify engine to run on alternate fuels. Unapproved fuels could damage engine. See *High Altitude* for operation above 5,000 ft. (1524 m).



WARNING! Fuel and its vapors are extremely flammable which could cause burns or fire resulting in death or serious injury.

- Do not refuel during operation.
- Do not smoke during refueling.
- Turn engine off and let it cool at least 2 minutes before removing fuel cap.
- Fill fuel tank outdoors. Keep fuel away from ignition sources.

1. Slowly remove fuel cap to relieve pressure in tank.
2. Slowly add fuel to fuel tank. Do not fill above bottom of fuel tank neck to allow for fuel expansion.



3. Install fuel cap and let any spilled fuel evaporate before starting engine.

High Altitude

At altitudes over 5,000 ft (1524 m), a minimum 85 octane fuel is acceptable. To remain emissions compliant, high altitude adjustment is required. Operation without this adjustment will cause decreased performance, increased fuel consumption, and increased emissions.

See an authorized Briggs & Stratton dealer for high altitude adjustment information. Operation of the engine at altitudes below 2,500 ft (762 m) with the high altitude kit is not recommended.

Transporting

Do not tip engine or equipment at an angle which causes fuel to spill.

Step 3: Set Up

Clean Debris

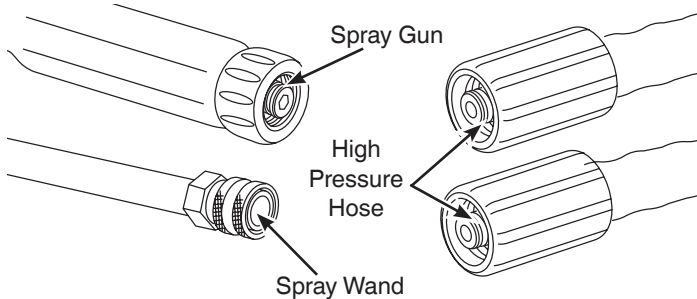
Clean any accumulated debris. Keep area around muffler free from any debris.

- Use a soft bristle brush to loosen caked on dirt or oil.
- Use a damp cloth to wipe exterior surfaces clean.

Lubricate O-rings

Lubricate all connections shown to extend the life of the o-rings.

1. Inspect and clean connecting surfaces prior to lubrication and assembly. Replace o-rings that are damaged or missing. See *Common Service Parts*.

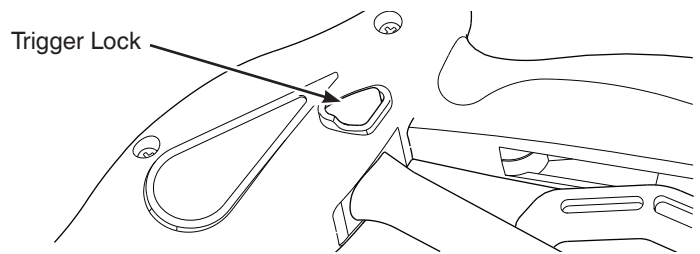


NOTICE Never repair leaking connections with sealant of any kind. Replace o-ring.

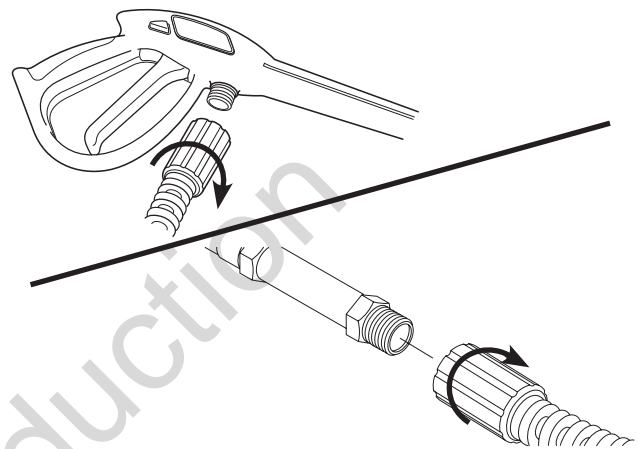
2. Use a small brush or cotton swab to apply a light coating of grease directly to o-rings.

Check / Connect Gun and Hose

1. If spray gun trigger depresses without pressing trigger lock or if spray gun remains depressed when released, replace spray gun immediately.



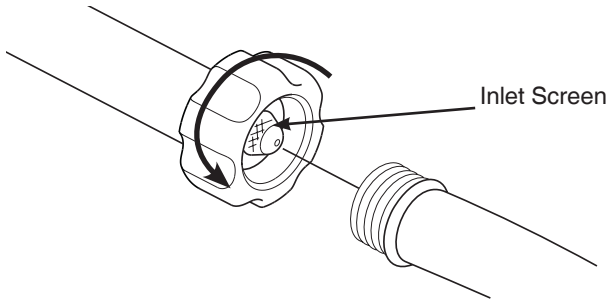
2. If high pressure hose is damaged, exposing inner mesh, replace immediately.
3. Attach high pressure hose to spray gun and high pressure outlet on pump. Tighten by hand.



WARNING! The high pressure fluid could cut through skin and its underlying tissues, resulting in serious injury and possible amputation. Never attach spray wand directly to high pressure hose.

Check Water Inlet Screen / Connect Garden Hose

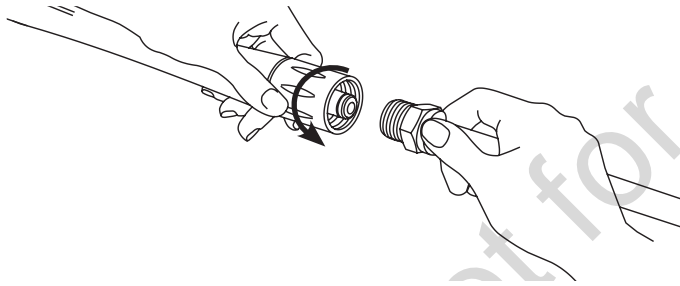
1. Inspect inlet screen. Remove debris or replace if damaged.



2. Run water through garden hose (not to exceed 50 ft (15 m) to clean out debris, then connect to water inlet.

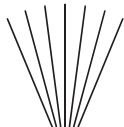



NOTICE There must be at least 10 ft (3 m) of unrestricted garden hose between the pressure washer inlet and any device, such as a vacuum breaker, to prevent pump damage.

3. Turn on water, point spray gun in safe direction, press trigger lock and depress trigger to purge pump system of air.
4. Attach spray wand to spray gun. Tighten by hand.

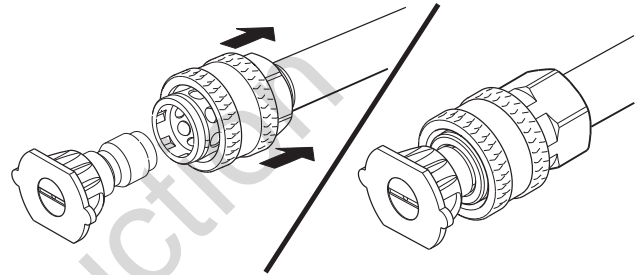


Step 4: Spray Tips

1. Select desired spray tip:

 <p>Low Pressure Black Soap Use to apply detergent</p>	 <p>Delicate Rinse White, 40° Green, 25° Cars / Vans / Trucks / Outdoor Furniture</p>
 <p>General Rinse Yellow, 15° Siding / Patios Decks Driveways / Garage Floors</p>	 <p>Maximum Rinse Red, 0° Paint Removal / Oil Stains / Rust Removal</p>

2. Pull spray wand quick connect collar back, insert spray tip and release. Tug spray tip to ensure it is secure.

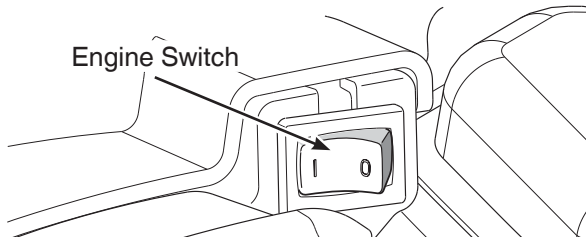


Not for
Reproduction

Step 5: Start Up

NOTICE Do not start engine without water supply connected and turned on.

1. Level product before starting.
2. Turn engine switch to ON (I) position.



WARNING! Risk of eye injury. Spray could splash back or propel objects, resulting in serious injury.

- Always wear indirect vented (chemical splash) safety goggles when using or near this product. (Safety glasses do not provide full protection).
- Always wear protective clothing such as long-sleeved shirts, long pants and closed-toed shoes.

NOTICE A ReadyStart® engine requires no priming or choking.



WARNING! Recoil starter kickback (rapid retraction) will pull hand and arm toward engine faster than you can let go, which could cause broken bones, fractures, bruises, or sprains and result in serious injury.

3. Position yourself as shown below, grasp recoil starter and pull slowly until you feel some resistance. Then pull rapidly to start engine.
4. Return recoil starter slowly. Do not let rope “snap back” against starter.



WARNING! High-pressure water could cut through skin resulting in serious injury and possible amputation.

- Do not direct discharge at self or others.
- Call physician immediately if cut by fluid. Do not treat as a simple cut.
- Do not touch spray tips while spraying.



WARNING! Use of pressure washer could create slippery surfaces causing you to fall, resulting in death or serious injury. Kickback from spray gun could cause you to fall resulting in death or serious injury. Operate pressure washer from a stable surface.

5. Firmly grasp spray gun with both hands, point spray gun in safe direction, press trigger lock and depress trigger to begin spraying.



6. Apply high pressure spray to a small area first, then check the surface for damage. If no damage is found, it is okay to continue cleaning.



WARNING! Risk of electrocution. Contact with power source could cause electric shock or burn resulting in death or serious injury. Never spray near power source.

Usage Tips

- For most effective cleaning, keep spray tip 8 to 24 in (20 to 61 cm) away from cleaning surface.
- Do not use high pressure spray tips closer than 6 in (15 cm) to prevent damage to the cleaning surface.
- Start at the top of the area to be rinsed, working down with long, even, overlapping strokes.

Step 6: Applying Detergent



WARNING! Chemicals could cause burns resulting in death or serious injury.

- Follow chemical manufacturer's label instructions for proper use and handling of the chemical.
- Only use products marketed for use with pressure washers.
- Never spray acids or flammable liquids.

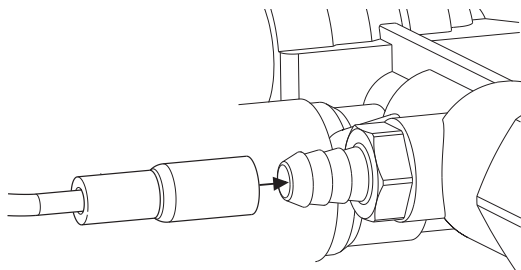
Check Detergent Siphoning Tube

Clean detergent tube if clogged or replace if leaking.

To apply detergent, follow these steps:

To apply undiluted detergent using direct from concentrate follow these steps.

1. Attach blue siphon hose to the direct from concentrate bottle and pump.



2. Install black detergent spray tip. See *Spray Tips*.
3. Apply per manufacturer's instructions.

NOTICE Use provided standard detergent siphon tube to apply standard detergents. Prepare per pressure washer detergent manufacturer's instructions. Install the detergent siphon tube and insert into pressure washer detergent.

NOTICE Detergent cannot be applied with the high pressure spray tips (White, Yellow, Green or Red).

Step 7: Shut Down

1. Release spray gun trigger and let engine idle for one minute.
2. Push engine switch to OFF (0) position.



WARNING! Spray gun traps high water pressure, even after engine shut down and water disconnection, which could result in serious injury.

3. Point spray gun in safe direction. Press trigger lock and depress trigger to relieve high water pressure.

Step 8: Clean Up

1. Turn off water and purge system.
2. Disconnect and drain all hoses, spray gun and spray wand.
3. Empty pump of all liquids by pulling recoil handle about six times.

NOTICE If storing in freezing temperatures or more than 30 days, see *Storage*.

Maintenance

Maintenance Schedule

Follow the hourly or calendar intervals, whichever occurs first.

Every 8 Hours or Daily (see Operation Section)
Check engine oil level
Clean debris
Lubricate o-rings
Check spray gun
Check high pressure hose
Check / clean water inlet screen
Check detergent siphoning tube
Every 50 Hours or Yearly
Clean air filter ¹
Inspect muffler and if equipped, spark arrester
Every 200 Hours or Yearly
Replace engine air filter
Yearly
Replace spark plug
Clean cooling system ^{1,2}

¹ Service more often under dirty or dusty conditions.

² See any authorized dealer for service.

General Recommendations

Regular maintenance will improve the performance and extend the life of the pressure washer. See any authorized dealer for service.

Pump Oil

Do not attempt any oil maintenance on this pump. The pump is pre-lubricated and sealed from the factory, requiring no additional maintenance for the life of the pump.

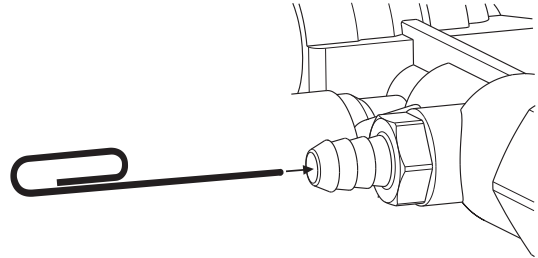
Detergent Siphoning Check Ball

The check ball in detergent siphoning system may become stuck from dried soap or minerals in water. The check ball can be freed by performing the following:



WARNING! Chemical Burn Hazard. Chemicals could cause burns resulting in death or serious injury. Follow chemical manufacturer's label instructions for proper use and handling of the chemical. Following *Shut Down*, remove detergent siphoning hose from barbed fitting on pump.

1. Insert paper clip, or similar device, into barbed fitting on pump and push down until ball moves.



2. Reinstall detergent siphoning hose.

Spray Tip Maintenance

Clean an obstructed spray tip to correct a pulsing sensation when squeezing the spray gun trigger.

1. Following *Shut Down*, remove spray tip from spray wand.
2. Use a paper clip, or similar device, to free foreign material.

Engine Maintenance

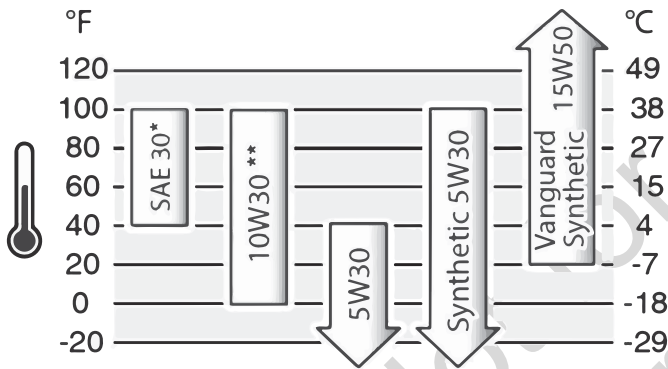
Emissions Control

Maintenance, replacement, or repair of the emissions control devices and systems may be performed by any non-road engine repair establishment or individual. However, to obtain “no charge” emissions control service, the work must be performed by a factory authorized dealer. See the *Emissions Warranty*.

Oil Recommendations

We recommend the use of Briggs & Stratton Warranty Certified oils for best performance. Other high-quality detergent oils are acceptable if classified for service SF, SG, SH, SJ or higher. Do not use special additives.

Outdoor temperatures determine the proper oil viscosity for the engine. Use the chart to select the best viscosity for the outdoor temperature range expected. Engines on most outdoor power equipment operate well with 5W30 Synthetic oil. For equipment operated in hot temperatures, Vanguard® 15W50 Synthetic oil provides the best protection.

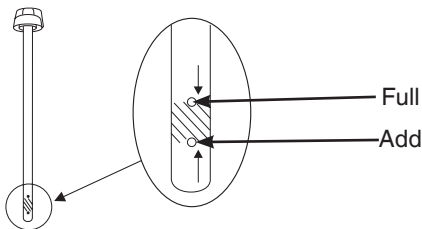


* Below 40°F (4°C) the use of SAE 30 will result in hard starting.

** Above 80°F (27°C) the use of 10W30 may cause increased oil consumption. Check oil level more frequently.

Add Engine Oil

1. Place pressure washer on level surface.
2. Clean area around oil fill and remove yellow oil fill cap/dipstick.
3. Slowly pour oil into oil fill opening. Checking oil level frequently, fill to full mark (top hole) on dipstick.



NOTICE Pause to permit oil to settle. Wipe dipstick clean each time oil level is checked. Do not overfill.

4. Replace and tighten dipstick.
5. Wipe up any remaining oil.

NOTICE Do not attempt to start engine before it has been properly serviced with oil. This could result in engine failure.



CAUTION! Avoid prolonged or repeated skin contact with used motor oil. Used motor oil has been shown to cause skin cancer in certain laboratory animals. Thoroughly wash exposed areas with soap and water.



KEEP OUT OF REACH OF CHILDREN. DO NOT POLLUTE. CONSERVE RESOURCES. RETURN USED OIL TO COLLECTION CENTERS.

Changing Engine Oil

Change oil while engine is still warm from running, as follows:

1. Drain fuel tank by running pressure washer until fuel tank is empty.
2. Disconnect spark plug wire and keep it away from spark plug.
3. Clean area around oil fill, remove oil fill cap/dipstick. Wipe dipstick clean.



WARNING! Contact with muffler area could cause burns resulting in serious injury. Lift by frame when tipping to avoid hot surfaces.

4. Tip pressure washer to drain oil from oil fill into a suitable container making sure to tip unit away from spark plug.
5. When engine is empty, return pressure washer to upright position.
6. Add recommended oil as described in *Add Engine Oil*.
7. Reconnect spark plug wire to spark plug.

Service Air Filter

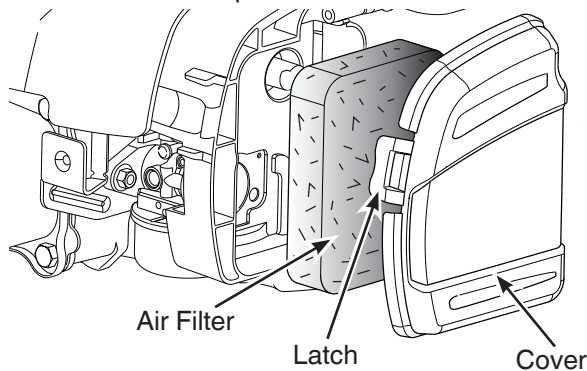


WARNING! Fuel and its vapors are extremely flammable, which could cause burns or fire, resulting in death or serious injury.

- Do not start and run engine without air filter removed.

Your engine will not run properly and may be damaged if you run it with a dirty or missing air filter.

1. Pull the latch and open the cover.

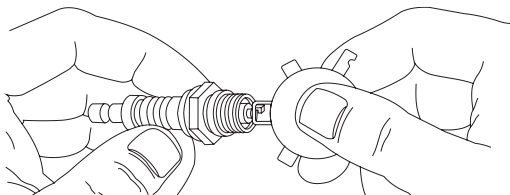


2. Carefully remove air filter to prevent debris from falling into carburetor.
3. Wash foam air filter in liquid detergent and water. Squeeze dry in a clean cloth.
4. Saturate foam air filter in new engine oil and squeeze in a clean cloth to remove excess oil.
5. Reinstall clean or new air filter in base.
6. Close the cover and secure the latch.

Service Spark Plug

Changing the spark plug will help your engine to start easier and run better.

1. Clean area around spark plug.
2. Remove and inspect spark plug.
3. Replace spark plug if electrodes are pitted, burned or porcelain is cracked. Use the recommended replacement plug. See *Specifications*.
4. Check electrode gap with wire feeler gauge and reset spark plug gap to recommended gap if necessary (see *Specifications*).



5. Install spark plug and tighten firmly.

Inspect Muffler and Spark Arrester

Inspect the muffler for cracks, corrosion, or other damage. Remove the spark arrester, if equipped, and inspect for damage or carbon blockage. Clean if carbon blockage is found using brush and commercial solvent or replace if damaged.



WARNING! Contact with muffler area could cause burns resulting in serious injury. Do not touch hot parts.

Common Service Parts

Pump Saver™	6039
O-ring Maintenance Kit	705001
Water Inlet Screen	B2384GS
Engine Oil Bottle	100005 or 100028
Air Cleaner	595297
Spark Plug	594264

Contact an authorized service dealer or BRIGGSandSTRATTON.com for a full list of parts and diagrams.

Storage



WARNING! Fuel and its vapors are extremely flammable, which could cause burns or fire, resulting in death or serious injury. Do not store fuel near ignition source.

1. Place detergent siphon tube in water and flush detergent from system by running pressure washer with black spray tip.

Protecting Fuel System

2. Treat or drain fuel from pressure washer as fuel can become stale when stored over 30 days.

Each time you fill the container with fuel, add STA-BIL 360°® PROTECTION™ to the fuel as specified by the manufacturer's instructions. This keeps fuel fresh and decreases fuel-related problems or contamination in the fuel system.

It is not necessary to drain fuel from the engine when STA-BIL 360°® PROTECTION™ is added as instructed. Before storage, turn the engine ON for 2 minutes to move the fuel and stabilizer through the fuel system.

If fuel in the engine has not been treated with STA-BIL 360°® PROTECTION™, it must be drained into an approved container. Then run the engine until it stops from lack of fuel.

Protecting the Pressure Washer

3. Turn off water and purge system.
4. Disconnect and drain all hoses, spray gun and spray wand.
5. Empty pump of all liquids by pulling recoil handle about six times.

NOTICE Store spray gun indoors and keep from freezing.

Protecting the Pump

6. Treat pump with Pump Saver.

Use Pump Saver to protect pump from damage caused by mineral deposits and freezing. It also lubricates pistons and seals. See *Common Service Parts*.

Read and follow all Pump Saver warnings and instructions.

If Pump Saver is not available, connect a 3 ft. (1 m) section of garden hose to water inlet. Pour RV-antifreeze (antifreeze without alcohol) into hose. Pull recoil handle twice. Disconnect hose.

NOTICE You must protect your product from freezing temperatures. Failure to do so will permanently damage your pump and spray gun rendering your product inoperable.

7. Store unit in a clean and dry area.



WARNING! Storage covers could cause a fire resulting in death or serious injury. Do not place a storage cover over a hot pressure washer. Let product cool before installing cover.

Not for
Reproduction

Troubleshooting

Problem	Cause	Correction
Pump has following problems: failure to produce pressure, loss of pressure, low water volume.	<ol style="list-style-type: none"> 1. Low pressure spray tip installed. 2. Inadequate water supply. 3. Clogged inlet hose screen. 4. Spray tip is obstructed. 5. Connections leak. 6. High pressure hose or spray gun leaks. 	<ol style="list-style-type: none"> 1. Replace with high pressure spray tip. 2. Provide adequate water flow. 3. Check and clean inlet hose screen. 4. Clean spray tip. See <i>Spray Tip Maintenance</i>. 5. Tighten connections or replace o-rings. 6. Replace.
Detergent fails to mix with spray.	<ol style="list-style-type: none"> 1. High pressure spray tip installed. 2. Check ball stuck in detergent siphoning system. 3. Detergent siphoning tube is clogged or cracked. 	<ol style="list-style-type: none"> 1. Replace with low pressure black spray tip. 2. Free check ball. See <i>Detergent Siphoning Check Ball</i>. 3. Clean or replace detergent siphoning tube.
Engine will not start; starts and runs rough or shuts down during operation.	<ol style="list-style-type: none"> 1. Engine switch set to OFF (0) position. 2. Out of fuel. 3. Flooded with fuel. 4. Dirty air filter. 5. Spark plug wire not connected to spark plug. 	<ol style="list-style-type: none"> 1. Set engine switch to ON (I) position. 2. Fill fuel tank. 3. Wait 5 minutes before starting. 4. Clean or replace air filter. 5. Connect wire to spark plug.

For all other issues, see an authorized dealer.

Specifications

White, 40°	2400 PSI (165 bar) @ 2.5 GPM (9.5 L/min)*
Green, 25°	2800 PSI (193 bar) @ 2.4 GPM (9.1 L/min)*
Yellow, 15°	2800 PSI (193 bar) @ 2.4 GPM (9.1 L/min)*
Red, 0°	3100 PSI (214 bar) @ 2.1 GPM (7.6 L/min)*
Water Supply Temperature	41°F (5°C) - 100°F (38°C)
min Water Supply Flow Rate	3.5 GPM (13.25 L/min)
min Water Supply Pressure	20 PSI (1.38 bar)
Engine Displacement	11.58 in ³ (190 cc)
Spark Plug Gap	0.020 in. (0.050 mm)
Oil Capacity	20 oz (0.6 L)

Power Ratings: The gross power rating for individual gasoline engine models is labeled in accordance with SAE (Society of Automotive Engineers) code J1940 Small Engine Power & Torque Rating Procedure, and is rated in accordance with SAE J1995. Torque values are derived at 2600 RPM for those engines with “rpm” called out on the label and 3060 RPM for all others; horsepower values are derived at 3600 RPM. The gross power curves can be viewed at www.BRIGGSandSTRATTON.COM. Net power values are taken with exhaust and air cleaner installed whereas gross power values are collected without these attachments. Actual gross engine power will be higher than net engine power and is affected by, among other things, ambient operating conditions and engine-to-engine variability. Given the wide array of products on which engines are placed, the gasoline engine may not develop the rated gross power when used in a given piece of power equipment. This difference is due to a variety of factors including, but not limited to, the variety of engine components (air cleaner, exhaust, charging, cooling, carburetor, fuel pump, etc.), application limitations, ambient operating conditions (temperature, humidity, altitude), and engine-to engine variability. Due to manufacturing and capacity limitations, Briggs & Stratton may substitute an engine of higher rated power for this engine.

*This pressure washer is rated in accordance to the Pressure Washer Manufacturers' Association (PWMA) standard PW101-2010 (Testing and Rating Performance of Pressure Washers).

Not for
Reproduction

HUSQVARNA WARRANTY POLICY

LIMITED WARRANTY

Husqvarna® is a registered trademark of Husqvarna AB and is used under license to Briggs & Stratton Corporation. Briggs & Stratton warrants that, during the warranty period specified below, it will repair or replace, free of charge, any part that is defective in material or workmanship or both. Transportation charges on product submitted for repair or replacement under this warranty must be borne by purchaser. This warranty is effective for and is subject to the time periods and conditions stated below. For warranty service, find the nearest Authorized Service Dealer in our dealer locator map at BRIGGSANDSTRATTON.COM. The purchaser must contact the Authorized Service Dealer, and then make the product available to the Authorized Service Dealer for inspection and testing.

There is no other express warranty. Implied warranties, including those of merchantability and fitness for a particular purpose, are limited to the warranty period listed below, or to the extent permitted by law. Liability for incidental or consequential damages are excluded to the extent exclusion is permitted by law. Some states or countries do not allow limitations on how long an implied warranty lasts, and some states or countries do not allow the exclusion or limitation of incidental or consequential damages, so the above limitation and exclusion may not apply to you. This warranty gives you specific legal rights and you may also have other rights which vary from state to state or country.**

WARRANTY PERIOD

Item	Consumer Use	Commercial Use
Equipment	24 months	3 months
Engine*	24 months	3 months
Frame	36 months	3 months

* Applies to Briggs & Stratton engines only. Warranty coverage of non-Briggs & Stratton engines is provided by that engine manufacturer. Emissions-related components are covered by the Emissions Warranty Statement.

** In Australia - Our goods come with guarantees that cannot be excluded under the Australian Consumer Law. You are entitled to a replacement or refund for a major failure and for compensation for any other reasonably foreseeable loss or damage. You are also entitled to have the goods repaired or replaced if the goods fail to be of acceptable quality and the failure does not amount to a major failure. For warranty service, find the nearest Authorized Service Dealer in our dealer locator map at BRIGGSANDSTRATTON.COM, or by calling 1300 274 447, or by emailing or writing to salesenquires@briggsandstratton.com.au, Briggs & Stratton Australia Pty Ltd, 1 Moorebank Avenue, NSW, Australia, 2170.

The warranty period begins on the date of purchase by the first retail or commercial consumer. "Consumer use" means personal residential household use by a retail consumer. "Commercial use" means all other uses, including use for commercial, income producing or rental purposes. Once a product has experienced commercial use, it shall thereafter be considered as a commercial use product for purposes of this warranty.

Save your proof of purchase receipt. If you do not provide proof of the initial purchase date at the time warranty service is requested, the manufacturing date of the product will be used to determine the warranty period. Product registration is not required to obtain warranty service on Briggs & Stratton products.

ABOUT YOUR WARRANTY

Warranty service is available only through Briggs & Stratton Authorized Service Dealers. This warranty covers only defects in materials or workmanship. It does not cover damage caused by improper use or abuse, improper maintenance or repair, normal wear and tear, or stale or unapproved fuel.

Improper Use and Abuse - The proper, intended use of this product is described in the Operator's Manual. Using the product in a way not described in the Operator's Manual or using the product after it has been damaged will not be covered under this warranty. Warranty coverage will also not be provided if the serial number on the product has been removed or the product has been altered or modified in any way, or if the product has evidence of abuse such as impact damage or water/chemical corrosion damage.

Improper Maintenance or Repair - This product must be maintained according to the procedures and schedules provided in the Operator's Manual, and serviced or repaired using genuine Briggs & Stratton parts or equivalent. Damage caused by lack of maintenance or use of non-original parts is not covered by warranty.

Normal Wear and Tear - Like most mechanical devices, your unit is subject to wear even when properly maintained. This warranty does not cover repairs when normal use has exhausted the life of a part or the equipment. Maintenance and wear items such as filters, belts, cutting blades, and brake pads (except engine brake pads) are not covered by warranty due to wear characteristics alone, unless the cause is due to defects in material or workmanship.

Stale or Unapproved Fuel - In order to function correctly, this product requires fresh fuel that conforms to the criteria specified in the Operator's Manual. Engine or equipment damage caused by stale fuel or the use of unapproved fuels (such as E15 or E85 ethanol blends) is not covered by warranty.

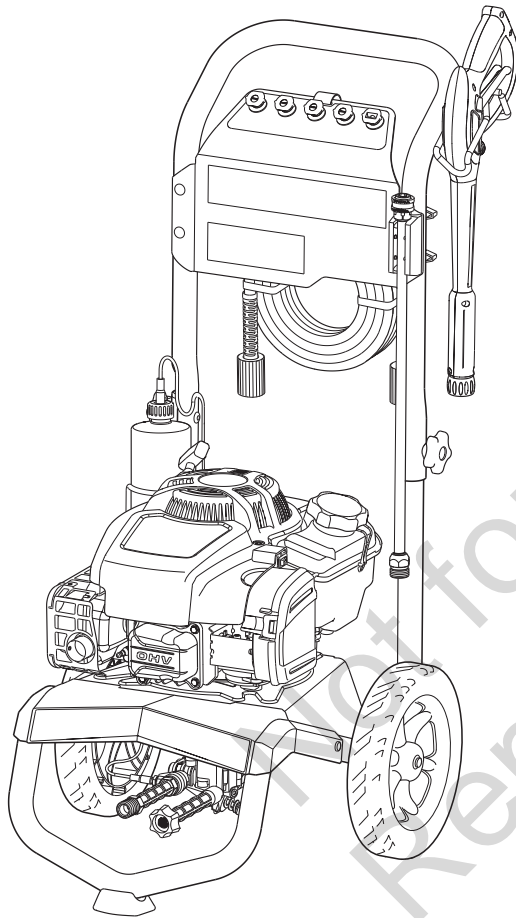
Other Exclusions - This warranty excludes damage due to accident, abuse, modifications, alterations, improper servicing, freezing or chemical deterioration.

Attachments or accessories that were not originally packaged with the product are also excluded. There is no warranty coverage on equipment used for primary power in place of utility power or on equipment used in life support applications. This warranty does not include used, reconditioned, second-hand, or demonstration equipment or engines. This warranty also excludes failures due to acts of God and other force majeure events beyond the manufacturer's control.

80081746_EN Rev -



Limpiadora a presión Manual del operador



Número de modelo _____

Revisión _____

Número de serie _____

Fecha de compra _____

Copyright © 2019. Briggs & Stratton Corporation
Milwaukee, WI, USA. Reservados todos los derechos.
Husqvarna® es una marca registrada de Husqvarna AB.
Usa abajo licencia.
(877) 224-0458
www.husqvarna.com/us

Índice de contenidos

Símbolos y sus significados.	2
Descripción del equipo.	3
Características y controles.	4
Operación	6
Mantenimiento	12
Almacenamiento	15
Solución de problemas.	16
Garantía.	18

Registrar su producto

Para asegurar pronta y completa cobertura de la garantía, registre su producto en línea en www.onlineproductregistration.com.

Símbolos y sus significados

Señal	Significado
PELIGRO	Indica un riesgo que, si no se evita, <i>ocasionará</i> la muerte o lesiones graves.
ADVERTENCIA	Indica un riesgo que, si no se evita, <i>podría</i> ocasionar la muerte o lesiones graves.
ATENCIÓN	Indica un riesgo que, si no se evita, <i>podría</i> ocasionar lesiones menores o moderadas.
AVISO	Indica una información que se considera importante pero que no está relacionada con un peligro potencial.

Símbolo	Nombre	Explicación
	Símbolo de alerta de seguridad	Indica un posible riesgo para su integridad física.
	Lea el Manual del operador	La omisión de las advertencias, las instrucciones y el manual del operador podría redundar en lesiones graves o incluso la muerte.
	Gases tóxicos	La descarga de escape del motor contiene monóxido de carbono, un gas tóxico que puede matar en minutos. No puede olerse ni verse.
	Incendio	El combustible y sus vapores son extremadamente inflamables, lo que podría causar quemaduras o incendios que resulten en lesiones graves o la muerte. El escape del motor puede causar un incendio y ocasionar lesiones graves o la muerte.

Símbolo	Nombre	Explicación
	Inyección de fluido	La alta presión de agua puede cortar la piel y causar heridas graves y posible amputación.
	Spray, objetos que salen volando	Riesgo de lesión ocular. El agua rociada podría salpicar o expulsar objetos, lo que puede provocar lesiones graves.
	Superficie caliente	El contacto con el área del mofle podría provocar quemaduras y causar lesiones graves.
	Descarga eléctrica	El contacto con los cables eléctricos podría provocar choque eléctrico y ocasionar lesiones graves o la muerte.
	Retroceso	El contragolpe del cable del arrancador retráctil jalará la mano y el brazo hacia el motor más rápido de lo que usted pueda soltarlo, lo que puede causar huesos rotos, esguinces o hematomas que resulten en lesiones graves.
	Quemadura química	Los productos químicos podrían causar quemaduras que resulten en la muerte o en lesiones graves.
	Superficie resbaladiza/ Caída	Superficies resbaladizas mojadas podrían provocar caídas que resulten en la muerte o en lesiones graves.
	Caída	El retroceso de la pistola puede hacerle caer, lo que puede ocasionarle la muerte o una lesión grave.

¡ADVERTENCIA! Este producto puede exponerlo a sustancias químicas, entre las que se incluyen emisiones de escape de motor de gasolina, reconocidas por el Estado de California como causantes de cáncer, y monóxido de carbono, reconocido por el Estado de California como causante de defectos de nacimiento u otros problemas reproductivos. Para obtener más información, visite www.P65Warnings.ca.gov.

¡ADVERTENCIA! Este producto contiene plomo y compuestos de plomo que, de acuerdo al estado de California, pueden causar defectos de nacimiento u otros problemas reproductivos. Lávese las manos después de manipular este producto. Cáncer y Problemas Reproductivos – www.P65Warnings.ca.gov

Descripción del equipo



Lea este manual cuidadosamente y familiarícese con el producto. Conozca sus aplicaciones, sus limitaciones y cualquier riesgo implicado. Conserve estas instrucciones originales para futuras consultas.

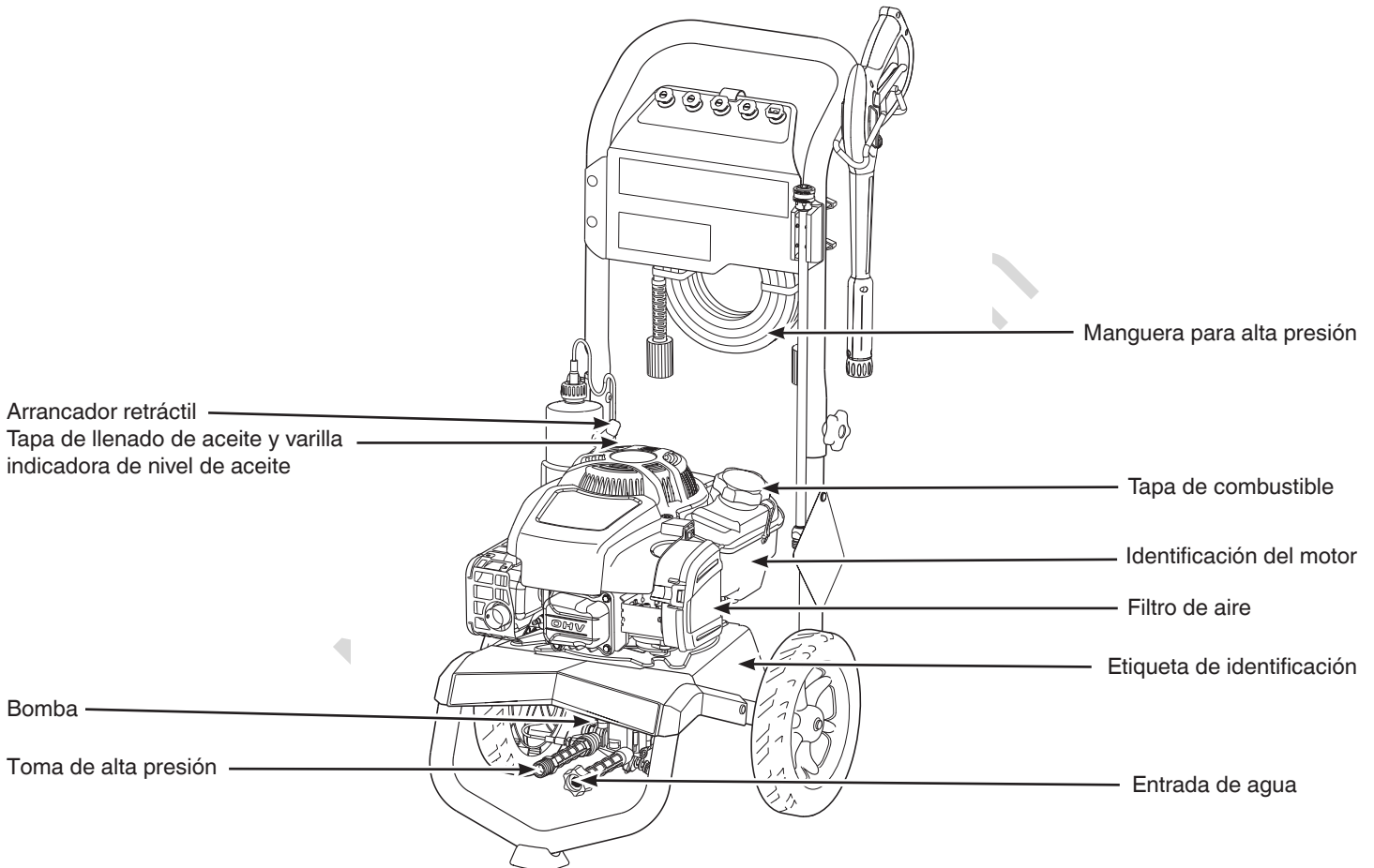
Para facilitar los proyectos de limpieza para exteriores, esta máquina limpiadora a alta presión impulsada por motor utiliza una variedad de boquillas rociadoras y detergente.

Sepa cómo detener el producto y disminuir la presión rápidamente. Mantenga el área de operación libre y no permita que niños operen la lavadora a presión.

Manténgase alerta, observe lo que está haciendo. No haga funcionar la lavadora a presión si está cansado o bajo la influencia de alcohol o drogas.

Se ha hecho todo lo posible para garantizar que la información contenida en este manual sea precisa y actual. Sin embargo, nos reservamos el derecho de realizar cambios, alterar o mejorar el producto y este documento, en cualquier momento sin previo aviso.

AVISO Si tiene alguna pregunta acerca del uso previsto, póngase en contacto con el distribuidor autorizado. Este equipo se ha diseñado para usarse con partes autorizadas de Briggs & Stratton® únicamente.



Arrancador retráctil — permite arrancar el motor.

Bomba — pistón de acero inoxidable, bomba de leva axial que desarrolla la alta presión.

Entrada de agua — conexión para la manguera de jardín.

Etiqueta de identificación — proporciona el modelo y número de serie de la lavadora a presión.

Filtro de aire — filtra el aire de admisión del motor.

Identificación del motor — proporciona el modelo, el tipo y el código del motor.

Manguera para alta presión — conecte un extremo de la manguera a la bomba de agua y el otro a la pistola rociadora.

Tapa de combustible — agregue combustible sin plomo aquí.

Tapa de llenado de aceite/Varilla indicadora de nivel de aceite — revise, llene, y vacíe el aceite aquí.

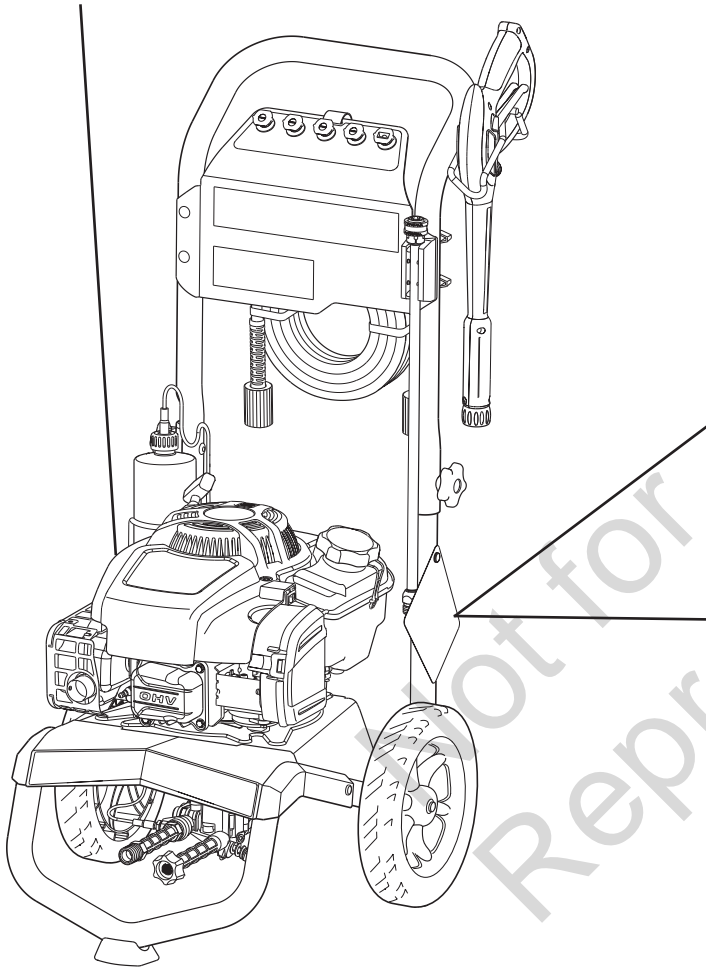
Toma de alta presión — conexión para la manguera de alta presión.

Características y controles

Compare las ilustraciones con su lavadora a presión para familiarizarse con la ubicación de los diversos controles y advertencias del producto.

⚠ WARNING

Fire Hazard. Operation of this equipment may create sparks that can start fires around dry vegetation. A spark arrestor may be required. The operator should contact local fire agencies for laws or regulations relating to fire prevention requirements. 80008183



⚠ WARNING

- Failure to read and follow the operator's manual, all warnings and operating instructions could result in death or serious injury.
- Engine exhaust contains carbon monoxide, a poisonous gas that could kill you in minutes. You cannot see or smell it. Only use outside far away from windows, doors and vents.
- Gasoline is flammable. Allow engine to cool at least 2 minutes before refueling. Do not spray flammable liquids.
- High pressure could cut through skin. Never spray people. Spray gun traps high water pressure, even after engine is shut down and water is disconnected. Squeeze trigger, to release high pressure, every time engine stops.
- Rapid retraction of starter cord (kickback) could pull hand and arm toward engine faster than you can let go. Pull starter cord slowly until resistance is felt and then pull rapidly to avoid kickback. Gun kicks back — Hold with both hands.
- Spray could splash back or propel objects. Wear safety goggles and protective clothing. Safety glasses do not provide full protection.
- Muffler could cause burns. Do not touch hot parts. Avoid hot exhaust gases.

Do Not Remove This Tag

See reverse side for operating instructions.

1

Check engine oil and gas.

2

Connect high pressure hose to gun and unit.

3

Connect garden hose to unit and water supply. Turn on water.

4

Point gun in safe direction, squeeze trigger to purge air from system.

5

Connect wand to gun and nozzle to wand.

6

ON (I)

Set engine switch to ON (I).

If equipped, press primer ball 3X.

3X

7

OR

Push starter button or pull cord slowly until resistance is felt, then pull rapidly.

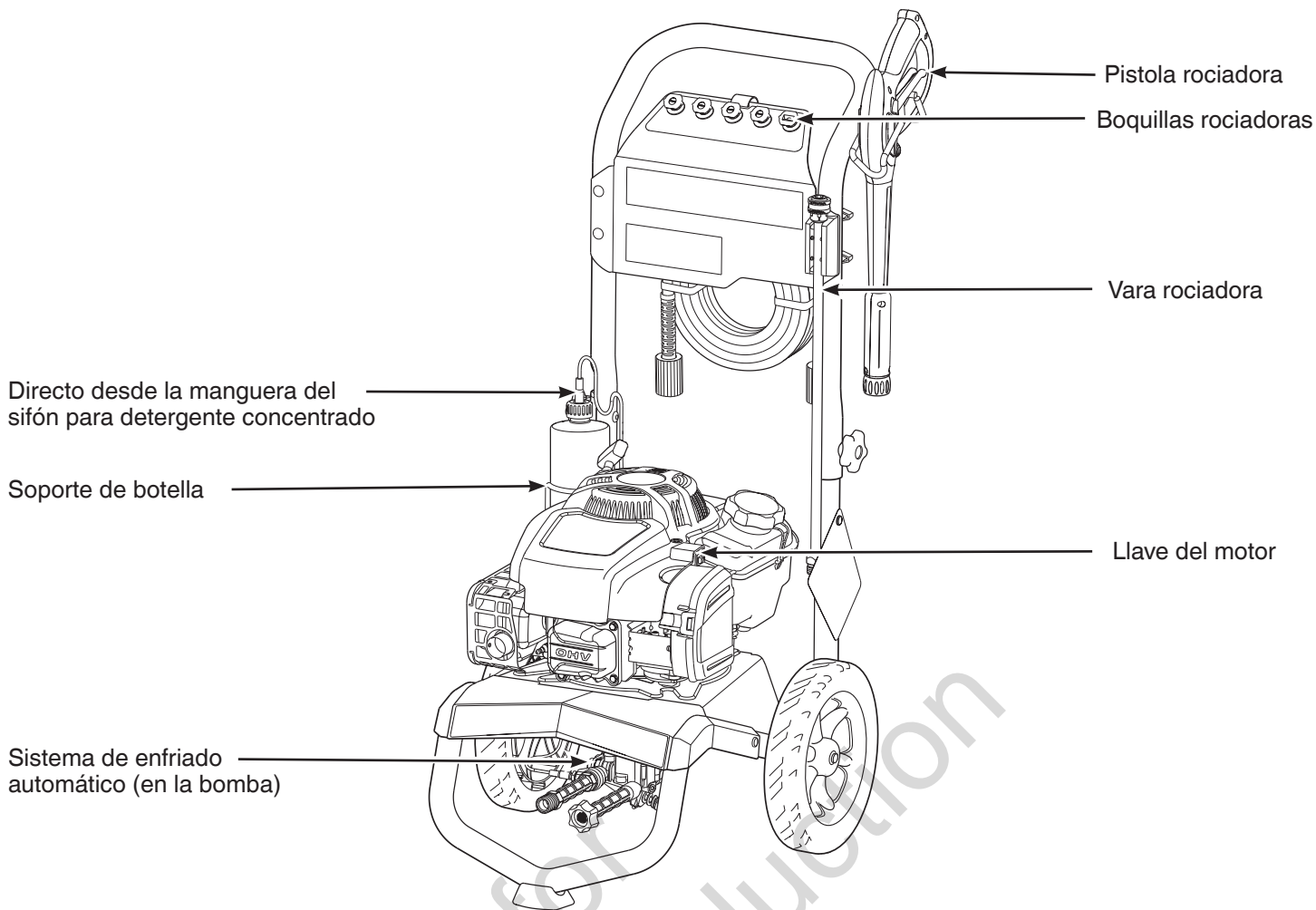
OFF (O)

STOP

Set engine switch to OFF (O).

Point gun in safe direction, squeeze trigger to release high pressure.

80079235



Boquillas rociadoras — múltiples patrones para diversas aplicaciones de limpieza.

Directo desde la manguera del sifón para detergente concentrado — se conecta directamente a la botella de detergente. Extrae el detergente de la lavadora a presión en un flujo a baja presión.

Llave del motor — coloque esta llave en la posición de ENCENDIDO (I) antes de arrancar el motor. Coloque la llave en la posición de APAGADO (0) para apagar el motor.

Pistola rociadora — controla el spray mediante el gatillo. Incluye bloqueo del gatillo.

Sistema de enfriamiento automático — evita daños a la bomba interna mediante la descarga de agua tibia al suelo.

Soporte de botella — almacene la botella directa del concentrado aquí. Botella con concentrado no incluida.

Vara rociadora — permite intercambiar los boquillas rociadoras.

Operación

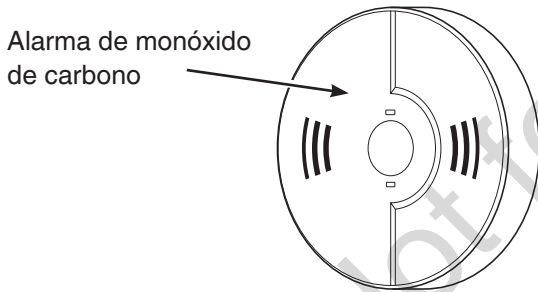
Paso 1: Ubicación segura

Antes de arrancar la lavadora a presión, hay dos problemas de seguridad igualmente importantes con respecto a la intoxicación por monóxido de carbono e incendios que deben abordarse.

Ubicación durante el funcionamiento para reducir el riesgo de intoxicación por monóxido de carbono

El escape del motor de todos los equipos que queman combustibles fósiles, como la lavadora a presión, contiene monóxido de carbono, un gas tóxico que puede ser mortal en minutos. Además de que no se lo puede ver, es inodoro e insípido. Incluso si no huele los gases del escape, puede estar expuesto al monóxido de carbono.

En muchos estados, la ley requiere el uso de alarmas de monóxido de carbono funcionales en los hogares. Se trata de un dispositivo electrónico que detecta niveles peligrosos de monóxido de carbono. Cuando se produce una acumulación de monóxido de carbono, la alarma avisa a los habitantes con un sonido y una luz indicadora, visible e intermitente. Las alarmas de humo no pueden detectar el monóxido de carbono.



¡ADVERTENCIA! La descarga de escape del motor contiene monóxido de carbono, un gas tóxico que puede matar en minutos. Además de que no se lo puede ver, es inodoro e insípido. Incluso si no huele los gases del escape, puede estar expuesto al monóxido de carbono.

- Opere este producto solamente en exteriores, lejos de ventanas, puertas y ventilaciones para reducir el riesgo de que el monóxido de carbono se acumule y pueda circular en espacios habitados.
- Instale alarmas de monóxido de carbono con baterías o enchufe con batería de respaldo siguiendo las instrucciones del fabricante. Las alarmas de humo no pueden detectar el monóxido de carbono.
- No opere este producto dentro de hogares, garajes, sótanos, espacios reducidos, cobertizos u otros espacios parcialmente cerrados, incluso si usa ventiladores o deja las puertas y ventanas abiertas. El monóxido de carbono se puede acumular rápidamente en estos espacios y puede permanecer durante horas, incluso después de que se apaga este producto.
- Apunte el escape en la dirección opuesta de las casas y de los espacios donde haya personas u objetos.
- Si comienza a sentirse mareado o débil cuando utiliza el producto, tome aire fresco inmediatamente y consulte a un médico. Puede haberse intoxicado con monóxido de carbono.



USE EN EXTERIORES – EVITE EL ENVENENAMIENTO POR MONÓXIDO DE CARBONO



ALARMA(S) DE MONÓXIDO DE CARBONO

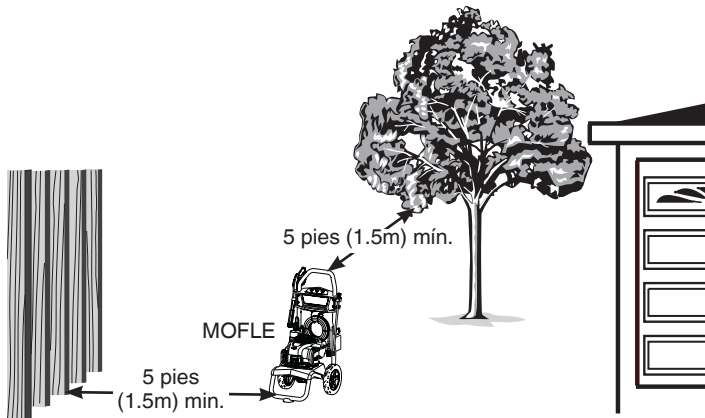
Instale alarmas de monóxido de carbono en el interior de su casa. Sin alarmas de monóxido de carbono en funcionamiento, es posible que no se dé cuenta de que se está intoxicando y muriendo debido a una intoxicación por monóxido de carbono.

Ubicación durante el funcionamiento para reducir el riesgo de incendio



¡ADVERTENCIA! Los gases y el calor del escape pueden encender materiales combustibles y estructuras, o dañar el tanque de combustible y provocar un incendio, lo que podría resultar en lesiones graves o la muerte.

- La lavadora a presión debe encontrarse al menos a 5 pies (1,5 m) de cualquier estructura, alero, árboles, ventanas, puertas, cualquier abertura de pared, arbustos o vegetación de más de 12 pulgadas (30,5 cm) de altura.



- No coloque la lavadora a presión debajo de una plataforma ni de ningún otro tipo de estructura que pueda limitar el flujo de aire. Se deben instalar y mantener alarmas de humo en el interior de acuerdo con las instrucciones o recomendaciones del fabricante.
- Las alarmas de monóxido de carbono no pueden detectar el humo.
- Es una violación del Código de Recursos Públicos de California, Sección 4442, utilizar u operar el motor en cualquier espacio cubierto con árboles, maleza o pasto a menos que el sistema de escape esté equipado con un extintor de chispas, como lo define la Sección 4442, mantenido en correcto funcionamiento. Otras jurisdicciones federales o estatales pueden tener leyes similares. Para obtener más información, consulte la Parte 261.52 de la Regulación Federal 36 del CFR.
- Póngase en contacto con el vendedor, el distribuidor o el fabricante del equipo original para obtener un extintor de chispas diseñado para el sistema de escape instalado en este motor.
- Las piezas de repuesto deben ser iguales y se deben instalar en la misma posición que las piezas originales.

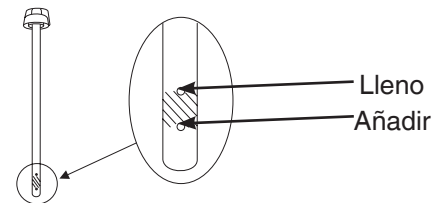
Paso 2: Aceite y Combustible

Comprobación del nivel de aceite



¡ATENCIÓN! Evite el contacto prolongado o reiterado de la piel con aceite de motor usado. Se ha demostrado que el aceite de motor usado que provoca cáncer de piel en ciertos animales de laboratorio. Lave completamente las áreas expuestas con jabón y agua.

1. Asegúrese de que la lavadora a presión esté en una superficie nivelada.
2. Limpie todos los desechos del área de llenado de aceite.
3. Retire la varilla indicadora del nivel de aceite y límpiela con un paño limpio. Vuelva a colocar la varilla y ajústela. Sáquela y compruebe el nivel de aceite.
4. Verifique que el aceite alcance la marca de nivel máximo (orificio superior) en la varilla. Vuelva a colocar la varilla y ajústela.



5. De ser necesario, consulte las instrucciones sobre cómo añadir aceite en la sección *Mantenimiento*.

Cómo agregar combustible

El combustible debe cumplir con los siguientes requisitos:

- Ser un combustible sin plomo, nuevo, limpio y con un mínimo de 87 octanos.
- Se acepta gasolina que contenga hasta 10 % de etanol.

E10

E15

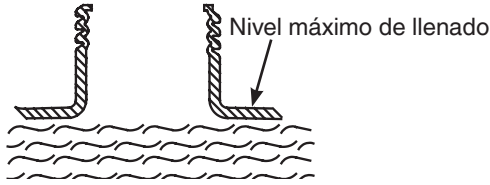
AVISO No mezcle el aceite con el combustible, ni modifique el motor para operarlo con combustibles alternativos. Combustibles no aprobados podrían causar daños al motor. Consulte la sección *Altitud* en el caso de encontrarse a una altura de 5000 pies (1524 m) o superior.



¡ADVERTENCIA! El combustible y sus vapores son extremadamente inflamables, lo que podría causar quemaduras o incendios que resulten en lesiones graves o la muerte.

- No recargue combustible si el generador está en funcionamiento.
- No fume durante la carga de combustible.
- Apague el motor y déjelo enfriar por al menos 2 minutos antes de retirar la tapa de combustible.
- Llene el tanque de combustible en el exterior. Mantenga el combustible lejos de fuentes de ignición.

1. Quite lentamente la tapa para eliminar la presión del tanque.
2. Añada lentamente el combustible al tanque. No sobrepase el extremo inferior del cuello del tanque de combustible, para dejar espacio para la expansión del combustible.



3. Instale la tapa de combustible y, antes de poner en marcha el motor, espere a que se evapore el combustible que se haya podido derramar.

Altitud

A alturas superiores a los 5000 pies (1524 metros), es aceptable el uso de combustible con un mínimo de 85 octanos. Para cumplir con el control de emisiones, se requiere el ajuste de altitud. El funcionamiento sin este ajuste genera una disminución del rendimiento, un aumento del consumo de combustible y un incremento en las emisiones. Consulte a su distribuidor autorizado de Briggs & Stratton para obtener información sobre el ajuste de altitud. No se recomienda operar el motor a alturas inferiores a 2500 pies (762 metros) con el kit para altitud.

Transporte

No incline el motor ni el equipo en un ángulo que provoque un derrame de combustible.

Paso 3: Configuración General

Limpie los residuos

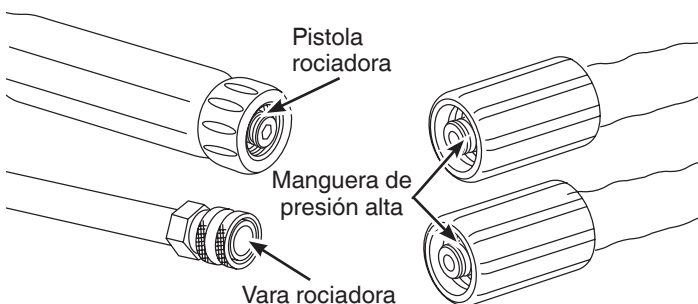
Limpie los residuos acumulados. Mantenga el área alrededor del mofle libre de residuos.

- Use un cepillo de cerda suave para eliminar los restos de suciedad o aceite endurecidos.
- Use un paño húmedo para limpiar las superficies exteriores.

Lubrique las juntas tóricas

Lubrique todas las conexiones que se muestran para prolongar la vida útil de las juntas tóricas.

1. Inspeccione y limpie las superficies de conexión antes de la lubricación y el montaje. Reemplace las juntas tóricas dañadas o faltantes. Consulte la sección *Repuestos comunes*.

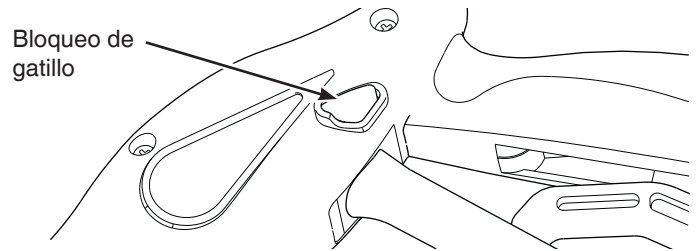


AVISO Nunca repare las fugas en conexiones con selladores de ninguna clase. Reemplace la junta tórica.

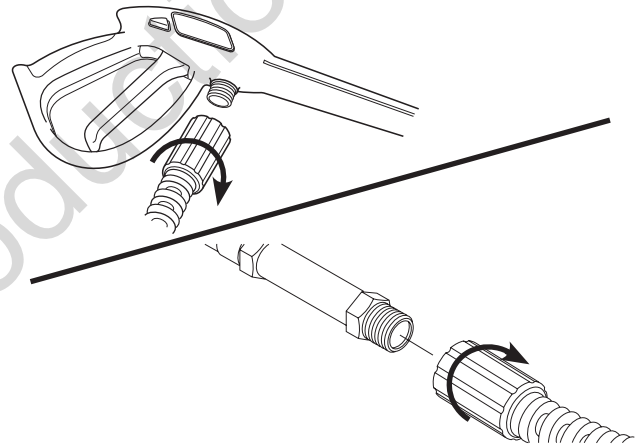
2. Utilice una brocha pequeña o un hisopo para recubrir las juntas tóricas directamente con una pequeña cantidad de grasa.

Verificar/Conectar la pistola y manguera

1. Si el gatillo de la pistola rociadora se presiona sin presionar el bloqueo del gatillo, o si la pistola rociadora permanece presionado cuando se libera, reemplace la pistola rociadora de inmediato.



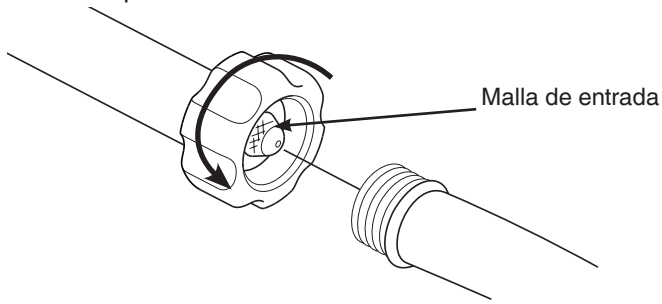
2. Si la manguera de alta presión está dañada y la malla interior está expuesta, reemplácela de inmediato.
3. Conecte la manguera de alta presión a la pistola rociadora y a la toma de alta presión en la bomba. Ajuste a mano.



¡ADVERTENCIA! El líquido a alta presión podría atravesar la piel y los tejidos subcutáneos, que podría resultar en lesiones graves y la posible amputación de un miembro. Nunca conecte la vara de rociadora directamente a la manguera de alta presión.

Verifique la malla de entrada de agua/Conecte la manguera de jardín

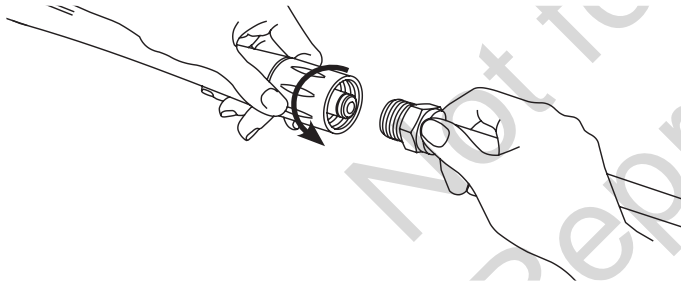
1. Inspeccione la malla de entrada. Retire la basura o reemplácelo si está dañado.



2. Corra agua por la manguera de jardín (no mayor de 50 pies (15 metros)) para eliminar basura, luego conéctela a la entrada de agua.


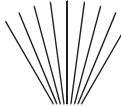


AVISO Debe haber al menos 10 pies (3 metros) de manguera de jardín sin restricciones entre la entrada de la lavadora a presión y cualquier dispositivo, como un bloqueador de reflujo a vacío, para evitar daños a la bomba.

3. Abra el agua, apunte con la pistola rociadora hacia una dirección segura, presione el bloqueo del gatillo y presione el gatillo para eliminar el aire del sistema de bombeo.
4. Conecte la vara rociadora a la pistola rociadora. Ajuste a mano.

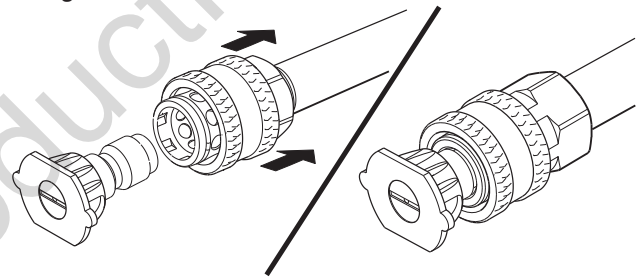


Paso 4: Boquillas rociadoras

1. Seleccione la boquilla rociadora deseada:

 <p>Jabón negro de baja presión Use para aplicar detergente</p>	 <p>Enjuague delicado Blanco, 40° Verde, 25°</p>
 <p>Enjuague general Amarillo, 15° Revestimientos / Terrazas Plataformas Entradas de vehículos / Pisos de garaje</p>	 <p>Enjuague máximo Rojo, 0° Retiro de pintura / Manchas de aceite / Retiro de óxido</p>

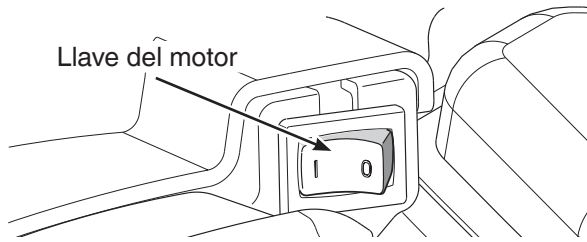
2. Tire del collar de conexión rápida de la vara rociadora hacia atrás, inserte la boquilla rociadora y libere. Tire de la boquilla rociadora para asegurarse de que esté segura.



Paso 5: De puesta en marcha

AVISO No arranque el motor si el suministro de agua no está conectado y abierto.

1. Nivele el producto antes de comenzar.
2. Mueva la llave del motor a la posición de Encendido ON (I).



¡ADVERTENCIA! Riesgo de lesión ocular. El agua rociada podría salpicar o expulsar objetos, lo que puede resultar en lesiones graves.

- Siempre use gafas de seguridad con ventilación indirecta (salpicaduras de sustancias químicas) cuando utilice este producto o esté cerca del mismo. (Las gafas de seguridad no brindan una protección total).
- Siempre use ropa protectora como camisa de manga larga, pantalones largos y calzado cerrado.

AVISO Un motor ReadyStart® no requiere de cebador o de estrangulador.



¡ADVERTENCIA! El contragolpe del arrancador retráctil (retracción rápida) jalará la mano y el brazo hacia el motor más rápido de lo que usted pueda soltarlo, lo que puede causar huesos rotos, esguinces o hematomas y resultan en lesiones graves.

3. Colóquese como se muestra a continuación, tome el arrancador retráctil y jale lentamente hasta que sienta algo de resistencia. Luego tire rápidamente para arrancar el motor.
4. Devuelva el arrancador retráctil lentamente. No permita que la cuerda "golpee" contra el arrancador.



¡ADVERTENCIA! La alta presión de agua puede cortar la piel y causar heridas graves y posible amputación.

- No dirija la descarga hacia usted mismo o hacia otros.
- Si el fluido le causa una cortadura, llame a un médico de inmediato. No lo trate como una cortadura normal.
- No toque las boquillas rociadoras mientras rocía.



¡ADVERTENCIA! El uso de la lavadora a presión podría crear superficies resbaladizas que podrían provocar una caída, lo que podría resultar en la muerte o lesiones graves. El retroceso de la pistola puede hacerle caer, lo que puede ocasionarle la muerte o una lesión grave. Utilice la lavadora a presión desde una superficie estable.

5. Tome la pistola rociadora firmemente con ambas manos, apunte con la pistola rociadora hacia una dirección segura, presione el bloqueo del gatillo y presione el gatillo para comenzar a rociar.



6. Primero, aplique un spray de alta presión a un área pequeña, luego revise la superficie en busca de daños. Si no hay daños, puede continuar con la limpieza.



¡ADVERTENCIA! Riesgo de electrocución. El contacto con los cables eléctricos podría provocar electrocución y quemaduras que pueden provocar lesiones graves o la muerte. Nunca rocíe cerca de una fuente de alimentación.

Consejos de uso

- Para una limpieza más eficaz, mantenga la boquilla rociadora a una distancia de 8 a 24 pulgadas (20 a 61 cm) de la superficie a limpiar.
- No use boquillas rociadoras de alta presión a una distancia menor de 6 pulgadas (15 cm) para evitar daños a la superficie que se limpia.
- Comience en la parte superior del área que se enjuagará, avanzando hacia abajo con pasadas largas, uniformes y solapadas.

Paso 6: Aplicación de detergente



¡ADVERTENCIA! Los productos químicos podrían causar quemaduras que resulten en la muerte o en lesiones graves.

- Siga las instrucciones de la etiqueta del fabricante del producto químico para usar y manipular adecuadamente los productos químicos.
- Use únicamente productos comercializados para su uso con lavadoras a presión.
- Nunca rocíe líquidos inflamables.

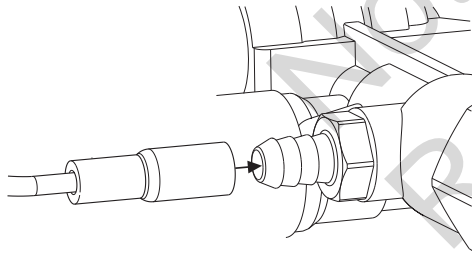
Revise el tubo del sifón para detergente

Limpie el tubo del detergente si está taponeado o reemplácelo si presenta fugas.

Para aplicar detergente, siga estos pasos:

Para aplicar detergente sin diluir directo de concentrado, siga estos pasos.

1. Conecte la manguera azul del sifón a la botella de concentrado y bomba.



2. Instale la boquilla rociadora negra para detergente. Consulte *Boquillas rociadoras*.
3. Aplique según las instrucciones del fabricante.

AVISO Use el tubo del sifón para detergente estándar que se proporciona para aplicar detergentes estándares. Prepare según las instrucciones del fabricante del detergente para lavadoras a presión. Instale el tubo del sifón para detergente e insértelo en el detergente para lavadoras a presión.

AVISO No se puede aplicar detergente con las boquillas rociadoras de alta presión (Blanca, Verde, Amarilla o Roja).

Paso 7: Apagado

1. Libere el gatillo de la pistola rociadora y permita que el motor vaya al ralentí durante un minuto.
2. Mueva la llave del motor a la posición de Apagado OFF (0).



¡ADVERTENCIA! La pistola rociadora retiene agua a alta presión, incluso con el motor apagado y el agua desconectada; esto podría resultar en lesiones graves.

3. Apunte la pistola rociadora hacia una dirección segura. Presione el bloqueo del gatillo y presione el gatillo para disminuir la presión alta del agua.

Paso 8: Limpieza

1. Cierre el agua y purgue el sistema.
2. Desconecte y drene todas las mangueras, la pistola rociadora y la varilla rociadora.
3. Vacíe la bomba de todo líquido tirando de la manija de retroceso unas seis veces.

AVISO Si se almacena a temperatura de congelamiento o durante más de 30 días, consulte *Almacenamiento*.

Mantenimiento

Plan de mantenimiento

Observe los intervalos de horas o de calendario, los que sucedan primero.

Cada 8 horas o a diario (consulte la sección Operación)
Compruebe el nivel del aceite del motor
Limpiar los desechos
Lubrique las juntas tóricas
Revise la pistola rociadora
Revise la manguera de alta presión
Revise y limpie la malla de entrada de agua
Revise el tubo del sifón para detergente
Cada 50 horas o anualmente
Limpie el filtro de aire ¹
Inspeccione el mofle y el supresor de chispas, si cuenta
Cada 200 horas o anualmente
Reemplace el filtro de aire del motor
Anualmente
Reemplace la bujía
Limpie el sistema de enfriamiento ^{1,2}

¹ Realice el mantenimiento con mayor frecuencia en condiciones de polvo o suciedad.

² Comuníquese con un distribuidor autorizado para solicitar mantenimiento.

Recomendaciones generales

El mantenimiento periódico mejorará el rendimiento y prolongará la vida útil de la lavadora a presión. Comuníquese con un distribuidor autorizado para solicitar mantenimiento.

Aceite para la bomba

No intente realizar un mantenimiento al aceite en esta bomba. La bomba se lubrica y sella en la fábrica, por lo que no requiere de mantenimiento adicional durante la vida útil de la bomba.

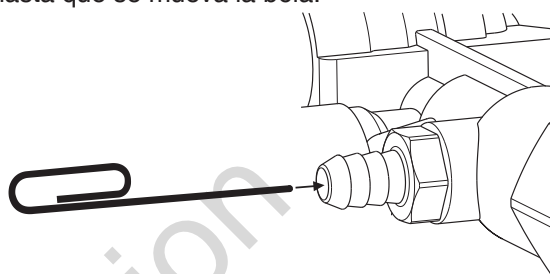
Bola de control de liberación de detergente

La bola de retención del sistema de sifón del detergente se puede bloquear debido al jabón seco o minerales del agua. La bola de retención se puede liberar llevando a cabo el siguiente procedimiento:



¡ADVERTENCIA! Riesgo de quemadura química. Los productos químicos podrían causar quemaduras que resulten en la muerte o en lesiones graves. Siga las instrucciones de la etiqueta del fabricante del producto químico para usar y manipular adecuadamente los productos químicos. Después del *Apagado*, retire la manguera del sifón para detergente del conector dentado en la bomba.

1. Inserte un sujetapapeles, o algún dispositivo similar, al conector dentado en la bomba y presione hacia abajo hasta que se mueva la bola.



2. Reinstale la manguera del sifón para detergente.

Mantenimiento de las boquillas rociadoras

Limpie una boquilla rociadora obstruida para corregir una sensación de pulsaciones al apretar el gatillo de la pistola rociadora.

1. Después del *Apagado*, retire la boquilla rociadora de la vara de spray.
2. Use un sujetapapeles, o un dispositivo similar, para liberar cuerpos extraños.

Mantenimiento del motor

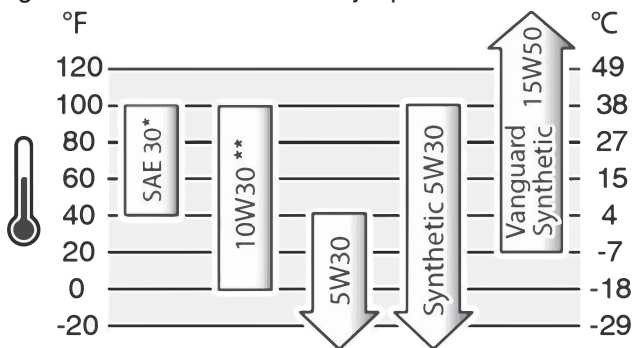
Control de emisiones

Cualquier establecimiento o persona especializados en la reparación de motores que no sean de automoción puede encargarse del mantenimiento, la sustitución y la reparación de los dispositivos y sistemas de control de emisiones. Sin embargo, para que el mantenimiento del control de emisiones sea "sin costo", el trabajo debe realizarlo un distribuidor autorizado por la fábrica. Consulte la *Garantía de emisiones*.

Recomendaciones de aceite

Recomendamos el uso de aceites Briggs & Stratton con garantía certificada para un mejor rendimiento. Otros aceites detergentes de alta calidad son aceptables si están clasificados para servicio SF, SG, SH, SJ o superior. No use aditivos especiales.

Las temperaturas exteriores determinarán la viscosidad adecuada del aceite para el motor. Use el cuadro para seleccionar la mejor viscosidad para el margen de temperatura exterior que se espera. Los motores en la mayoría de los productos de fuerza para exteriores funcionan bien con aceite sintético 5W30. Para equipos que funcionan a altas temperaturas, el aceite sintético Vanguard® 15W50 ofrece la mejor protección.

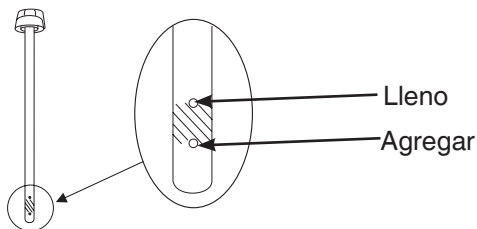


* El uso de aceite SAE 30 en temperaturas inferiores a 40 °F (4 °C) producirá dificultad de arranque.

** El uso de 10W30 a temperaturas mayores a 80 °F (27 °C) puede provocar un aumento en el consumo de aceite. Revise el nivel de aceite con mayor frecuencia.

Cómo agregar aceite de motor

1. Coloque la lavadora a presión en una superficie nivelada.
2. Limpie el área alrededor de la tapa de llenado de aceite y retire la tapa amarilla/varilla indicadora de nivel de aceite.
3. Lentamente vierta aceite en la apertura de la tapa de llenado de aceite. Revise frecuentemente el nivel de aceite y llene hasta la marca de nivel máximo (orificio superior) en la varilla.



AVISO Realice pausas para permitir que el aceite se asiente. Limpie la varilla indicadora de nivel cada vez que verifique el nivel de aceite. No llene en exceso.

4. Vuelva a colocar la varilla y ajústela.

5. Limpie los restos de aceite.

AVISO No intente arrancar el motor antes de suministrarle adecuadamente el aceite. Esto podría resultar en una avería en el motor.



¡ATENCIÓN! Evite el contacto prolongado o reiterado de la piel con aceite de motor usado. Se ha demostrado que el aceite de motor usado que provoca cáncer de piel en ciertos animales de laboratorio. Lave completamente las áreas expuestas con jabón y agua.



MANTENER FUERA DEL ALCANCE DE LOS NIÑOS. NO CONTAMINE. CONSERVE LOS RECURSOS. LLEVE EL ACEITE USADO A LOS CENTROS DE RECOLECCIÓN.

Cambio de aceite del motor

No es necesario realizar un cambio de aceite. Siga los pasos a continuación si desea cambiar el aceite.

Cambie el aceite mientras el motor aún esté tibio por su funcionamiento, de la siguiente manera:

1. Drene el tanque de combustible haciendo funcionar la lavadora a presión hasta vaciar el tanque de combustible.
2. Desconecte el cable de la bujía y manténgalo a distancia de bujía.
3. Limpie el área alrededor de la tapa de llenado de aceite y retire la tapa/varilla indicadora de nivel de aceite. Limpie la varilla indicadora de nivel de aceite con un paño.



¡ADVERTENCIA! El contacto con el área del mofle podría provocar quemaduras y causar lesiones graves. Levante mediante el marco al inclinar la unidad para evitar superficies calientes.

4. Incline la lavadora a presión para drenar el aceite de la tapa de llenado de aceite a un contenedor apto, asegurándose de inclinar la unidad lejos de la bujía.
5. Cuando el motor esté vacío, vuelva a colocar la lavadora a presión en su posición erguida.
6. Añade el aceite recomendado según se describe en *Cómo agregar aceite de motor*.
7. Vuelva a conectar el cable de la bujía de encendido.

Mantenimiento del filtro de aire

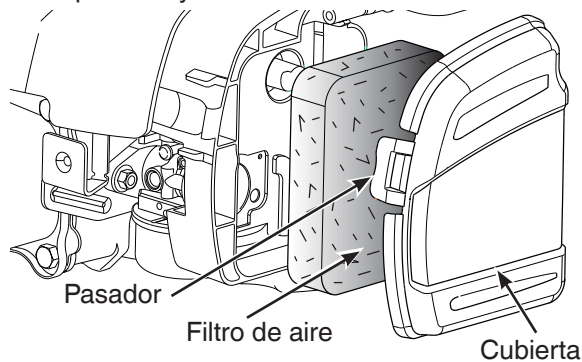


¡ADVERTENCIA! El combustible y sus vapores son extremadamente inflamables, lo que podría causar quemaduras o incendios, resultando en lesiones graves o la muerte.

- No arranque y haga funcionar el motor sin el filtro de aire.

Si el filtro de aire está sucio o no está colocado, el motor no funcionará correctamente y es posible que se dañe.

1. Tire del pasador y abra la cubierta.

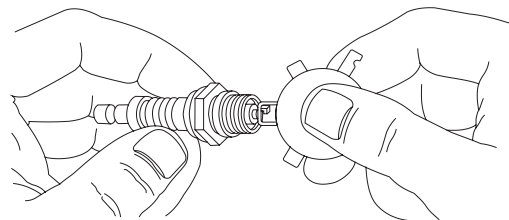


2. Retire con cuidado el filtro de aire para evitar que los residuos caigan al carburador.
3. Lave el filtro de aire de espuma con detergente líquido y agua. Apriete el filtro en un paño limpio para secarlo.
4. Empape el filtro de aire de espuma en aceite nuevo de motor y apriételo en un paño limpio para eliminar el exceso de aceite.
5. Vuelva a colocar el filtro de aire limpio o coloque uno nuevo en la base.
6. Cierre la cubierta y asegure el pasador.

Servicio del bujía

Cambie la bujía ayudará a su motor a arrancar más fácilmente y funcionar mejor.

1. Limpie la zona de alrededor de la bujía.
2. Retire e inspeccione la bujía.
3. Cambie la bujía si los electrodos están picados o quemados o si la porcelana está agrietada. Utilice la bujía de repuesto recomendada. Consulte *Especificaciones*.
4. Compruebe la separación del electrodo con un calibrador de alambre y ajuste el espacio de la bujía a la medida recomendada si fuera necesario (véase *Especificaciones*).



5. Instale la bujía y apriete firmemente.

Inspección del mofle y el atrapachispas

Inspeccione el mofle en busca de grietas, corrosión u otros daños. Quite el extintor de chispas, si viene equipado, e inspecciónelo en busca de daños u obstrucciones de carbono. Si se encuentra una obstrucción por carbón se encuentra, limpie con cepillo y solvente comercial o reemplace la pantalla apagachispas si está dañada.



¡ADVERTENCIA! El contacto con el área del mofle podría provocar quemaduras y causar lesiones graves. No toque las piezas calientes.

Repuestos comunes

Pump Saver™	6039
Kit para mantenimiento de las juntas tóricas	705001
Malla de entrada de agua	B2384GS
Filtro de aire	595297
Bujía	594264
Botella de aceite de motor	100005 o 100028

Contacte a un distribuidor de servicio autorizado o visite BRIGGSandSTRATTON.com para consultar una lista completa de partes y diagramas.

Almacenamiento



¡ADVERTENCIA! El combustible y sus vapores son extremadamente inflamables, lo que podría causar quemaduras o incendios, resultando en lesiones graves o la muerte. No almacene el combustible cerca de una fuente de ignición.

1. Coloque el tubo del sifón para detergente en agua y elimine el detergente del sistema haciendo funcionar la lavadora a presión con la boquilla rociadora negra.

Protección del sistema de combustible

2. Trate o drene el combustible de la lavadora a presión, ya que el combustible puede echarse a perder si se almacena durante más de 30 días.

Cada vez que llene el contenedor con combustible, agregue STA-BIL 360°® PROTECTION™ estabilizador de combustible al combustible tal como se especifica en las instrucciones del fabricante. Esto lo mantiene fresco y disminuye los problemas relacionados con el combustible o la contaminación en el sistema de combustible.

No es necesario drenar el combustible del motor cuando STA-BIL 360°® PROTECTION™ el estabilizador de combustible se agrega según las instrucciones. Antes de su almacenamiento, ENCENDIDO el motor durante 2 minutos para que el combustible y el estabilizador recorran todo el sistema de combustible.

Si no se ha agregado STA-BIL 360°® PROTECTION™ a la combustible en el motor, deberá vaciarla completamente en un recipiente aprobado. Entonces haga funcionar el motor hasta que se detenga por falta de combustible.

Protección de la lavadora a presión

3. Cierre el agua y purgue el sistema.
4. Desconecte y drene todas las mangueras, la pistola rociadora y la varilla rociadora.
5. Vacíe la bomba de todo líquido tirando de la manija de retroceso unas seis veces.

AVISO Almacene la pistola rociadora en interiores y no deje que se congele.

Protección de la bomba

6. Trate la bomba con Pump Saver.

Use Pump Saver para proteger la bomba de daños causados por depósitos de minerales o por congelamiento. También lubrica los pistones y sellos. Consulte la sección *Repuestos comunes*.

Lea y siga todas las advertencias e instrucciones Pump Saver.

Si no dispone de Pump Saver, conecte una sección de 3 pies (1 metro) de manguera de jardín a la entrada de agua. Vierta anticongelante RV (anticongelante sin alcohol) a la manguera. Jale el mango retráctil dos veces. Desconecte la manguera.

AVISO Deberá proteger su producto contra temperaturas de congelamiento. Si no lo hace, dañará permanentemente la bomba y la pistola rociadora y su producto no podrá funcionar.

7. Almacene la unidad en un área limpia y seca.



¡ADVERTENCIA! Las cubiertas de almacenamiento pueden causar un incendio que resulte en lesiones graves o la muerte. No cubra una lavadora a presión caliente con una cubierta de almacenamiento. Permita que el producto se enfríe antes de instalar la cubierta.

Solución de problemas

Problema	Causa	Corrección
La bomba presenta los siguientes problemas: no produce presión, pérdida de presión, bajo volumen de agua.	<ol style="list-style-type: none"> 1. Boquilla rociadora de baja presión instalada. 2. Suministro de agua deficiente. 3. Pantalla de la manguera de entrada atascada. 4. Obstrucción de la boquilla rociadora. 5. Fuga en las conexiones. 6. Fuga en la manguera de alta presión o en la pistola rociadora. 	<ol style="list-style-type: none"> 1. Sustituir con una boquilla rociadora de alta presión. 2. Suministrar suficiente flujo de agua. 3. Comprobar y limpiar la pantalla de la manguera de entrada. 4. Limpie la boquilla de la rociadora. Consulte <i>Mantenimiento de boquillas rociadoras</i>. 5. Ajuste las conexiones o reemplace las juntas tóricas. 6. Cámbielas.
El detergente no se mezcla con el spray.	<ol style="list-style-type: none"> 1. Boquilla rociadora de alta presión instalada. 2. La bola de control está atascada en el sistema de liberación de detergente. 3. El tubo de liberación de detergente está atascado o tiene grietas. 	<ol style="list-style-type: none"> 1. Sustituya con una boquilla rociadora negra de baja presión. 2. Libere la bola de control. Consulte <i>Bola de control de sifón para detergente</i>. 3. Limpie o sustituya el tubo de liberación de detergente.
El motor no arranca; arranca y funciona en forma forzada; o se apaga cuando está en funcionamiento.	<ol style="list-style-type: none"> 1. El interruptor del motor está en la posición de Apagado OFF (0). 2. La máquina no tiene combustible. 3. Inundado con combustible. 4. El filtro de aire está sucio. 5. El cable de la bujía no está conectado. 	<ol style="list-style-type: none"> 1. Coloque la llave del motor en la posición de Encendido ON (I). 2. Llene el tanque de combustible. 3. Espere 5 minutos antes de arrancar el motor. 4. Limpie o reemplace el limpiador de aire. 5. Conecte el cable a la bujía.

Para cualquier otro problema, consulte con un distribuidor autorizado de Briggs & Stratton.

Especificaciones

Blanco, 40°	2400 PSI (165 bar) @ 9.5 L/min (2.5 GPM)*
Verde, 25°	2800 PSI (193 bar) @ 9.1 L/min (2.4 GPM)*
Amarillo, 15°	2800 PSI (193 bar) @ 9.1 L/min (2.4 GPM)*
Rojo, 0°	3100 PSI (214 bar) @ 7.6 L/min (2.1 GPM)*
Temperatura del suministro de agua	5° C (41° F) - 38° C (100° F)
Caudal mín. del suministro de agua	13.25 L/min (3.5 GPM)
Presión mín. del suministro de agua	20 psi (1.38 bar)
Desplazamiento del motor	190 cc (11.58 in ³)
Apertura de la bujía	0.050 mm (0.020 in.)
Capacidad de aceite	0.6 L (20 oz)

Potencia nominal: la clasificación de potencia bruta para los modelos con motor de gasolina individual se designa de acuerdo con el Procedimiento de Clasificación de Potencia y Torque de Motores Pequeños del código J1940 de la SAE (Sociedad de Ingenieros Automotrices) y la clasificación se obtiene de acuerdo con el código J1995 de la SAE. Los valores de torque se obtienen a 2600 RPM para los motores con "rpm" indicado en la etiqueta y 3060 RPM para todos los demás. Los valores de potencia se obtienen a 3600 RPM. Las curvas de potencia bruta se pueden ver en www.BRIGGSandSTRATTON.COM. Los valores de potencia neta se obtienen con un filtro de aire y un escape instalados, mientras que los valores de potencia bruta se recopilan sin estos aditamentos. La potencia bruta real del motor es mayor que la potencia neta del motor y depende, entre otros factores, de las condiciones ambientales de uso y de las variaciones entre los motores. Dada la amplia gama de productos donde se colocan los motores, el motor de gasolina puede no desarrollar la potencia bruta nominal cuando se usa en un equipo de potencia determinado. Esta diferencia se debe, entre otros, a los siguientes factores: la variedad de los componentes de los motores (filtro de aire, escape, carga, refrigeración, carburador, bomba de combustible, etc.), las limitaciones de la aplicación, las condiciones ambientales de uso (temperatura, humedad, altitud) y las variaciones entre distintos motores. Debido a las limitaciones de capacidad y fabricación, Briggs & Stratton puede sustituir un motor de mayor potencia nominal por este motor.

*Esta lavadora a presión está clasificada de acuerdo a la Asociación de Fabricantes de Lavadoras a Presión (PWMA) con el estándar PW101-2010 (Comprobación y clasificación de lavadoras a presión).

Not for
Reproduction

PÓLIZA DE GARANTÍA PARA PRODUCTOS HUSQVARNA

GARANTÍA LIMITADA

Husqvarna® es una marca registrada de Husqvarna AB bajo licencia de Briggs & Stratton Corporation. Briggs & Stratton garantiza que, durante el período de garantía especificado a continuación, reparará o reemplazará, sin cargo, cualquier pieza defectuosa en cuanto a material, mano de obra o ambos. Los gastos de transporte del producto sometido a reparación o cambio conforme a garantía estarán a cargo del comprador. Esta garantía se mantiene vigente durante los períodos de tiempo indicados a continuación y está sujeta a dichos períodos y a las condiciones presentadas a continuación. Para obtener servicio conforme a la garantía, localice al distribuidor de servicio autorizado más cercano en nuestro mapa de localización de distribuidores en BRIGGSandSTRATTON.COM. El comprador debe ponerse en contacto con el distribuidor de servicio autorizado y entregarle el producto para la inspección y prueba.

No existe ninguna otra garantía explícita. Las garantías implícitas, incluidas las de comerciabilidad y aptitud para una finalidad específica, están limitadas al período de garantía mencionado a continuación, en la medida que lo permita la ley. La responsabilidad por daños fortuitos o consecuentes queda excluida en la medida que dicha exclusión esté permitida por ley. Algunos estados o países no permiten limitaciones en cuanto a la duración de una garantía implícita, y algunos estados o países no permiten la exclusión o limitación de daños consecuentes o incidentales, en cuyo caso la limitación y la exclusión anteriores pueden no ser aplicables a usted. Esta garantía le otorga determinados derechos legales y es posible que tenga otros derechos que pueden variar de un país o estado a otro.**

PERÍODO DE GARANTÍA

Artículo	Uso Privado	Uso Comercial
Equipo	24 meses	3 meses
Motor*	24 meses	3 meses
Cuadro	24 meses	3 meses

* Solo aplicable a los motores Briggs & Stratton. La cobertura de garantía de motores diferentes a los Briggs and Stratton la suministra el fabricante del motor. Los componentes relacionados con las emisiones se tratan en la Declaración de Garantía sobre las Emisiones.

** En Australia – Nuestros productos vienen con garantías que no pueden excluirse bajo la Ley Australiana del Consumidor. Usted tiene derecho a una sustitución o a un reembolso por una avería importante y a compensación por cualquier otra pérdida o daño razonablemente previsible. También tiene derecho a una reparación o sustitución de productos si estos no son de una calidad aceptable y la avería no constituye una avería seria. Para obtener servicio de garantía, localice al distribuidor de servicio autorizado más cercano en nuestro mapa de localización de distribuidores en BRIGGSandSTRATTON.COM, o llame al 1300 274 447, o envíe un correo electrónico a salesenquires@briggsandstratton.com.au, o escriba a Briggs & Stratton Australia Pty Ltd, 1 Moorebank Avenue, NSW, Australia, 2170.

El período de garantía comienza a partir de la fecha de compra por el primer cliente de venta minorista o comercial. "Uso privado" significa uso doméstico residencial personal por un consumidor minorista. "Uso comercial" significa todos los demás usos, como el uso para fines comerciales, de producción de ingresos o de alquiler. Una vez que el producto haya experimentado uso comercial, será considerado en adelante como producto de uso comercial para fines de esta garantía. Guarde su recibo de compra. Si no proporciona un comprobante de la fecha de compra inicial al solicitar el servicio de garantía, se tomará la fecha de fabricación del producto para determinar el período de garantía. No se requiere el registro de producto para obtener servicio de garantía en los productos de Briggs & Stratton.

ACERCA DE SU GARANTÍA

El servicio de garantía solo está disponible a través de los distribuidores de servicio autorizados de Briggs & Stratton. Esta garantía solamente cubre defectos de material y mano de obra. No cubre daños causados por uso inadecuado o maltrato, mantenimiento o reparación no apropiada, desgaste normal o combustible caducado o no aprobado.

Uso inadecuado y maltrato – El uso adecuado, para el cual está diseñado este producto, se describe en el Manual del operador. Usar el producto de una manera no descrita en el Manual del operador o usar el producto después de haber sido dañado anulará su garantía. No se otorgará cobertura de garantía si se ha retirado el número de serie del producto o si éste ha sido alterado o modificado de cualquier manera, o si el producto tiene evidencia de maltrato, como daño por impacto o daño por corrosión por agua o química.

Mantenimiento o reparación no apropiada – Este producto debe recibir mantenimiento según los procedimientos y cronogramas provistos en el Manual del operador, y se le debe dar servicio o reparar utilizando partes Briggs & Stratton genuinas. El daño causado por falta de mantenimiento o por el uso de partes no originales no está cubierto por la garantía.

Desgaste normal – Como la mayoría de los dispositivos mecánicos, su unidad está sujeta a desgaste incluso cuando recibe mantenimiento apropiado. Esta garantía no cubre reparaciones cuando el uso normal ha agotado la vida útil de una pieza o del equipo. El mantenimiento y desgaste de piezas tales como filtros, correas, cuchillas de corte y zapatas de freno (excepto las zapatas de freno del motor) no están cubiertas por la garantía en lo referente al desgaste en sí mismo, a menos que la causa se deba a defectos de materiales o mano de obra.

Combustible descompuesto o no aprobado – Para funcionar correctamente, este producto requiere el uso de combustible fresco que cumpla con los criterios especificados en el Manual del Operario. Cualquier daño causado al motor o al equipo debido al uso de combustible descompuesto o no aprobado (como las mezclas de etanol E85 o E15) no estará cubierto por la garantía.

Otras exclusiones – Esta garantía no cubre los daños debidos a accidente, maltrato, modificaciones, alteraciones, mantenimiento inadecuado, congelación o deterioro químico. Los accesorios que no viniesen en el paquete original del producto también se excluyen. La garantía no cubre el uso de equipo como fuente de alimentación principal en lugar de una toma de corriente habitual o en equipo utilizado en aplicaciones de soporte vital. Esta garantía no incluye equipos o motores usados, reacondicionados, de segunda mano o de demostración. Esta garantía además excluye las fallas por casos fortuitos y otros casos de fuerza mayor que el fabricante no puede controlar.

80081746_ES Rev -