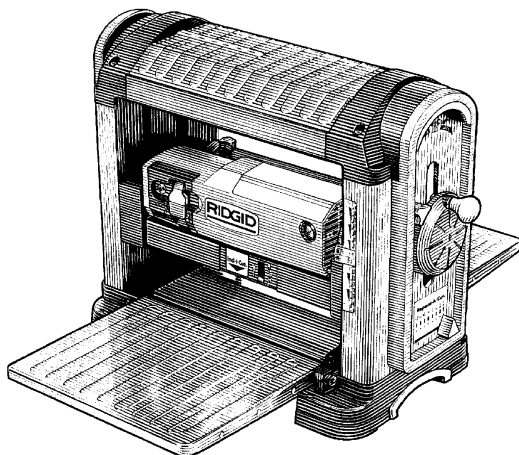


**IRIDIUM**®

# TP1300 OPERATOR'S MANUAL



## 13" THICKNESS PLANER

**⚠ WARNING:** To reduce the risk of injury, the user must read and understand the operator's manual before using this product.

**SAVE THIS MANUAL FOR  
FUTURE REFERENCE**

# Table of Contents

Section	Page	Section	Page
Table of Contents .....	2	Portable Applications .....	15
Safety Instructions for Thickness Planer .....	3	Work Bench Applications .....	15
Safety Symbols .....	3	Installing the Handwheel Knob .....	16
Before Using The Thickness Planer ...	3	Alignment (Adjustments) .....	16
When Installing Or Moving The Thickness Planer .....	4	Extension Assembly Alignment .....	16
Before Each Use .....	5	Adjusting the Thickness Indicator .....	16
To Reduce The Risk Of Injury From Jams, Slips Or Thrown Pieces .....	5	Getting to Know Your Thickness Planer .....	17
Plan Ahead To Protect Your Eyes, Hands, Face and Ears .....	5	Safety Instructions for Basic Thickness Planer Operations .....	18
Inspect Your Workpiece .....	6	Before Using The Thickness Planer .	18
Whenever Thickness Planer Is Running .....	6	Before Each Use .....	18
Before Leaving The Thickness Planer .....	7	Plan Ahead To Protect Your Eyes, Hands, Face and Ears .....	18
Glossary of Terms for Woodworking ....	7	Inspect Your Workpiece .....	19
Motor Specifications and Electrical Requirements .....	8	Whenever Thickness Planer Is Running .....	19
Power Supply and Motor Specifications .....	8	Basic Thickness Planer Operations ....	20
General Electrical Connections .....	8	Before You Begin .....	20
110-120 Volt, 60 Hz. Tool Information	8	Reduce Damage To Knives .....	21
Motor Safety Protection .....	9	Preparing the Work .....	21
Thermal Overload Protector .....	10	Carriage Lock .....	21
Wire Sizes .....	10	Carriage Lock Adjustment .....	22
Unpacking and Checking Contents .....	11	Elevation Handwheel .....	22
Tools Needed .....	11	Feeding the Work .....	22
Unpacking .....	11	Material Removal Indicator .....	23
List of Loose Parts .....	11	Preset Thickness Stops (Repeat-A-Cut) .....	23
Assembling Legset .....	12	Thickness Stop (Repeat-A-Cut) Adjustment .....	23
Assembling Upper and Lower Legs .....	13	Checking for Worn Knives .....	24
Assembling Lower Stiffeners .....	13	Maintenance .....	24
Assembling Upper Stiffeners .....	14	Lubrication .....	24
Mounting The Thickness Planer .....	15	Cleaning the Knives .....	24
Mounting on Legset .....	15	Cleaning The Feed Rollers .....	24
Mounting Thickness Planer on Supplied Legset .....	15	Motor Ventilation .....	24
Mounting Thickness Planer on Other Legsets or Work Benches .....	15	Changing Brushes .....	25
		Replacing Knives .....	25
		Accessories .....	26
		Wiring Diagram .....	26
		Troubleshooting .....	27
		Repair Parts .....	28
		Notes .....	34

# Safety Instructions for Thickness Planer

The purpose of safety symbols is to attract your attention to possible dangers. The safety symbols, and the explanations with them, deserve your careful attention and understanding. The safety warnings do not by themselves eliminate any danger. The instructions or warnings they give are not substitutes for proper accident prevention measures.

## Safety Symbols

**⚠ DANGER:** indicates an imminently hazardous situation which, if not

avoided, will result in death or serious injury.

**⚠ WARNING:** indicates a potentially hazardous situation which, if not avoided, could result in death or serious injury.

**⚠ CAUTION:** indicates a potentially hazardous situation which, if not avoided, may result in minor or moderate injury. It may also be used to alert against unsafe practices that may cause property damage.

## Before Using The Thickness Planer

**⚠ WARNING:** Some dust created by power sanding, sawing, grinding, drilling, and other construction activities contains chemicals known (to the State of California) to cause cancer, birth defects or other reproductive harm. Some examples of these chemicals are:

- Lead from lead-based paints,
- Crystalline silica from bricks and cement and other masonry products, and
- Arsenic and chromium from chemically-treated lumber.

Your risk from these exposures varies, depending on how often you do this type of work. To reduce your exposure to these chemicals: work in a well ventilated area, and work with approved safety equipment, such as those dust masks that are specially designed to filter out microscopic particles.

**⚠ WARNING:** To reduce the risk of mistakes that could cause serious, permanent injury, do not plug the thickness planer in until the following steps have been satisfactorily completed.

- Completely assemble and align thickness planer. (See “Assembly” and “Alignment” sections.)
- Learn the use and function of the on-off switch, cutter guard, elevation hand wheel, outfeed table and infeed table (see “Getting to Know Your Thickness Planer” section within.)
- Review and understand all safety instructions and operating procedures in this manual.
- Review the maintenance methods for this thickness planer. (See “Maintenance” section within.)

**⚠ WARNING:** Do not attempt to use the tool until you have read thoroughly and understand completely the operator’s manual. Pay close attention to the safety rules, including Dangers, Warnings, and Cautions. If you use this tool properly and only for what it is intended, you will enjoy years of safe, reliable service.

# Safety Instructions for Thickness Planer (continued)

- Find and Read the following labels on the thickness planer:

To remove top cover, pull out on lower corners. Do not lift planer by top cover.  
 Para quitar la cubierta superior, jale las esquinas inferiores hacia afuera. No aice la cepilladora sujetándola de la cubierta superior.  
 Pour retirer le couvercle, tirer les coins inférieurs vers l'extérieur. Ne pas soulever la planeuse par son couvercle.

	<b>▲ WARNING / AVERTISSEMENT / ADVERTENCIA</b>		
	<b>ROTATING BLADES</b> • Keep guard in place. • Keep hands out, blades will sever fingers. • Exposed blades are sharp and could injure you. • To reduce the possibility of injury when removing or installing blades, always use the blade tool and hand protection such as a rag.	<b>LAMES ROTATIVES</b> • Garder le guide en place. • Garder les mains en retrait, les lames vous couperaient les doigts. • Les lames nues sont affilées et elles pourraient vous blesser. • Pour réduire les risques de blessures pendant le démontage et le montage des lames, toujours utiliser l'outil de changement de lame et une protection pour les doigts, comme un chiffon.	<b>CUCHILLAS ROTATIVAS</b> • Mantenga la guarda en su lugar. • Mantenga las manos retiradas, las cuchillas podrían cortar los dedos. • Las cuchillas expuestas son filosas y podrían lesionarlo(a). • Para reducir la posibilidad de sufrir lesiones al quitar o instalar las cuchillas, siempre use la herramienta de cuchillas y una protección para las manos, como un paño.
827819	Electrical / Électricité / Electricidad : 120V, 60Hz, AC only / AC seulement / AC únicamente, 15A U.S. Patents Pending / Patentes pendientes en EE.UU. / Brevets US en instance		 TOOL 4261 ATTENTION TOOL 624847

1. Pour réduire les risques de blessures, l'utilisateur doit lire et veiller à bien comprendre le manuel d'utilisation avant d'utiliser la planeuse à rabotage. 2. Porter des lunettes de sécurité qui rencontrent la norme ANSI Z87.1 ou la norme CSA Z94.3-M06. 3. Fixer solidement la planeuse à l'établi, à la table ou au support. Vérifier la stabilité avec des pièces longues. 4. Garder les mains à l'écart de la lame mobile. 5. Ne pas retirer les retailles coincées avant que les lames ne s'arrêtent et que l'alimentation soit COUPEE. 6. Ne pas taper sur plus de 1,5 mm (1/16 po.) de profondeur à chaque passage. 7. Laisser l'alimentation continue faire son œuvre; ne pas pousser ni tirer la pièce à travailler. 8. Avant d'ajuster ou d'entretenir la planeuse, couper l'alimentation, attendre que la lame s'arrête et débrancher le cordon d'alimentation. 9. Ne pas exposer à la pluie ni utiliser dans un endroit humide. 10. At dar servicio à la unidad, sólo utilice piezas de repuesto idénticas.	1. Para reducir el riesgo de lesiones, lee y comprenda el manual del operador antes de utilizar el cepillador de rebajado. 2. Use gafas de seguridad que cumplan con las normas ANSI Z87.1 o CSA Z94.3-M06. 3. Monte la cepilladora de manera segura en un banco de taller, mesa o sobre patas. Verifique la estabilidad al usar piezas a trabajar largas. 4. Mantenga las manos lejos de la cuchilla en movimiento. 5. No quite las piezas atrapadas hasta que se hayan detenido las cuchillas y la máquina esté APAGADA. 6. No haga cortes de una profundidad mayor a 1/16 de pulgada (1.5 milímetros) en cada pasada. 7. Permita el funcionamiento libre del dispositivo de alimentación automática; no empuje o jale la pieza a trabajar. 8. Antes de ajustar o darle servicio, apague la cepilladora, espere a que se detenga la cuchilla y desconecte el cable eléctrico. 9. No la exponga a la lluvia ni la use en lugares húmedos. 10. Utilice exclusivamente des piezas idénticas a las de origen para las reparaciones.
<b>▲ AVERTISSEMENT</b> 1. To reduce the risk of injury, read and understand the operator's manual before using thickness planer. 2. Wear safety goggles that meet ANSI Z87.1 or CSA Z94.3-M06 standards. 3. Mount planer securely to workbench, table or legset. Check for stability with long workpieces. 4. Keep hands away from the moving blades.	<b>▲ WARNING</b> 5. Do not remove jammed cutoff pieces until blades stop with power OFF. 6. Do not cut deeper than 1/16" (1.5 mm) on each pass. 7. Allow the automatic feed to function; do not push or pull the workpiece. 8. Before adjusting or servicing, turn planer off, wait for blades to stop and disconnect power cord. 9. Do not expose to rain or use in damp location. 10. When servicing, use only identical replacement parts.

## When Installing Or Moving The Thickness Planer

- Before moving the thickness planer, turn off and unplug the power cord.
- To reduce the risk of back injury, get help when you need to lift the thickness planer.

### Avoid Dangerous Environment.

- Use the thickness planer in a dry, indoor place protected from rain.
- Keep work area well lighted.
- Place the thickness planer so neither the user nor bystanders are forced to stand in line with the wood. Thrown debris could injure people in its path.
- Place the thickness planer where there is room for moving the workpiece through the entire cut.

### To reduce the risk of injury from unexpected thickness planer movement:

- Put the thickness planer on a firm level surface where there is plenty

of room for handling and properly supporting the workpiece.

- Support the thickness planer so the tables are level and the thickness planer does not rock.
- Bolt or clamp the thickness planer to the table/bench if it tends to slip, walk, slide or tip over during work such as planing long, heavy boards.
- **Never Stand On Tool.** Serious injury could occur if the tool tips or you accidentally hit the cutting tool. Do not store anything above or near the tool where anyone might stand on the tool to reach them.

### To reduce the risk of injury or death from electrical shock:

Make sure your fingers do not touch the plug's metal prongs when plugging or unplugging the thickness planer.

## Before Each Use

**Inspect your thickness planer.**

- **Disconnect The Thickness Planer** to reduce the risk of injury from accidental starting before changing the setup, changing the blade or adjusting anything.

**Check For Damaged Parts.** Check for:

- Proper alignment of moving parts,
- Damaged electric cords,
- Binding of moving parts,
- Broken parts,
- Stable mounting,
- Other conditions that may affect the way the thickness planer works.

Before each use, make sure area under the cutter head and feed rollers is clear.

If any part of this thickness planer is missing, bent, or broken in any way, or any electrical parts don't work, turn

the thickness planer off and unplug it. Replace damaged, missing, or failed parts before using the thickness planer again.

To reduce possibility of thrown pieces, make sure the knives are properly installed and the knife lock screws are tight.

Use sharp knives. Dull or knicked knives tend to "pound" and chew at the wood, causing kickbacks.

Replace dull or damaged planer knives.

Make sure the dust chute is in place.

**Keep Guards In Place,** in working order, and in proper adjustment.

**Maintain Tools With Care.** Keep the thickness planer clean for best and safest performance. (See "Maintenance" section) **DON'T** lubricate any part of the thickness planer while the knives are rotating.

---

## To Reduce The Risk Of Injury From Jams, Slips Or Thrown Pieces

- **Use Only Recommended Accessories.** (See "Accessory" section). Consult this Operator's manual for recommended accessories. Follow the instructions that come with the accessories. The use of improper accessories may cause injury to persons.

- **Keep Work Area Clean.** Cluttered areas and benches invite accidents. Floor must not be slippery.

To reduce the risk of burns or other fire damage, never use the thickness planer near flammable liquids, vapors or gases.

---

## Plan Ahead To Protect Your Eyes, Hands, Face and Ears

**Know Your Thickness Planer.** Read and understand the operator's manual and labels affixed to the tool.

Learn its applications and limitations as well as the specific potential hazards peculiar to this tool.

To reduce the risk of injury from accidental contact with moving parts, don't do layout, assembly, or setup work on the thickness planer while any parts are moving.

**Reduce the Risk of Accidental Starting.** Make sure switch is "OFF" before plugging thickness planer into a power outlet.

**Plan your work.**

**Use the right tool.** Don't force planer to do a job it was not designed to do.

**NOTE:** Advises you of information or instructions vital to the operation or maintenance of the equipment.

# Safety Instructions for Thickness Planer (continued)

## Dress For Safety

Any power tool can throw foreign objects into the eyes. This can result in permanent eye damage. Wear safety goggles (not glasses) that comply with ANSI Z87.1 (or in Canada CSA Z94.3-99) shown on package. Everyday eyeglasses have only impact resistant lenses. They are not safety glasses. Safety goggles are available at many local retail stores. Glasses or goggles not in compliance with ANSI or CSA could seriously hurt you when they break.



- Do not wear loose clothing, gloves,

neckties or jewelry (rings, wrist watches) They can get caught and draw you into moving parts.

- Wear nonslip footwear.
- Tie back long hair.
- Roll long sleeves above the elbow.
- Noise levels vary widely. To reduce the risk of possible hearing damage, wear ear plugs or muffs when using thickness planer for hours at a time.
- For dusty operations, wear a dust mask along with safety goggles.

Keep hands at least (8") 20cm from the outfeed. Don't grip board tightly or pull board. A sudden kickback could pull hand into cutters.

Keep hands away from moving parts.

---

## Inspect Your Workpiece

- Make sure there are no nails or foreign objects in the part of the workpiece to be planed.
- Use quality lumber. Knives last longer and cuts go smoother on good wood.
- Do not plane undersized wood. Boards which are thinner than 1/8"

or shorter than 12" could split while being planed.

- Plane boards (12") 30cm or longer only. Short boards can jam or split and cause dangerous kickbacks.
- Use for solid wood and wood products only. Do not plane metals, plastics or laminated materials.

---

## Whenever Thickness Planer Is Running

**⚠ WARNING:** Don't allow familiarity (gained from frequent use of your thickness planer) to cause a careless mistake. A careless fraction of a second is enough to cause a severe injury.

Before starting to plane a board, watch the thickness planer while it runs. If it makes an unfamiliar noise or vibrates a lot, stop immediately. Turn the thickness planer off. Unplug the thickness planer. Do not restart until finding and correcting the problem.

### Plan the way you will hold the workpiece from start to finish:

- **Avoid awkward operations** and hand positions where a sudden slip could cause fingers or hand to move into the knives.
- **Don't Overreach.** Keep good footing and balance.
- **Do not force the cut.** Slowing or stalling the motor will overheat it. Allow the automatic feed to function properly.
- **Support workpiece.** Do not allow the board to hang from the planer.

- **Never** use another person as a substitute for a table extension, or as additional support for a workpiece that is longer or wider than the basic thickness planer table or to help feed, support or pull the workpiece.

Take Precautions Against Kickback. Do not permit anyone to stand or cross in line with the path of the board through the thickness planer. A kickback or thrown debris will travel in this direction.

**Keep Children Away.** Keep all visitors a safe distance from the thick-

ness planer. Make sure bystanders are clear of the thickness planer and workpiece.

Let the blade reach full speed before planing.

Turn switch off and unplug tool before inspecting, adjusting or repairing the planer.

**Before freeing jammed material:**

- Turn switch “OFF”.
- Wait for all moving parts to stop.
- Unplug the thickness planer.

---

## Before Leaving The Thickness Planer

**Never Leave Tool Running Unattended.** Turn power off. Wait for all moving parts to stop.

**Make workshop child-proof.** Lock the shop. Remove yellow switch key

and store away from tool. Disconnect master switches. Store away from children and others not qualified to use the tool.

### **WARNING:**



The operation of any power tool can result in foreign objects being thrown into your eyes, which can result in severe eye damage. Before beginning tool operation, always wear safety goggles or safety glasses with side shields and a full face shield when needed. We recommend Wide Vision Safety Mask for use over eyeglasses or standard safety glasses with side shields. Always wear eye protection which is marked to comply with ANSI Z87.1.



Look for this symbol to point out important safety precautions. It means attention!!! Your safety is involved.

## Glossary of Terms for Woodworking

---

**Bed** - The combination of infeed and outfeed table surfaces which support the workpiece during a cutting operation.

**Cutter Head** - The cutter head is a rotating piece with two adjustable knives. The cutter head removes material from the workpiece.

**Depth of cut** - A term used to indicate how deep into the workpiece the cutter knives will cut.

**Gum** - A sticky, sap based residue from wood products.

**Infeed Table** - The section of the thickness planer upon which the workpiece is placed before being pushed into the cutter head.

**Kickback** - An uncontrolled grabbing and throwing of the workpiece back toward the operator by the rotating cutter head.

**Leading End** - The end of the workpiece which is pushed into the cutter head first.

**Outfeed Table** - The section of a thickness planer which supports the workpiece after it passes under the cutter head.

**SAVE THESE INSTRUCTIONS**

## Glossary of Terms for Woodworking (continued)

**Planing** - Removing wood from the widest surface or face of a board so as to make it flat and smooth.

**Resin** - A sticky, sap based substance that has hardened.

**Revolutions Per Minute (RPM)** - The number of turns completed by a spinning object in one minute.

**Snipe** - The localized variation in workpiece thickness.

**Throw-Back** -

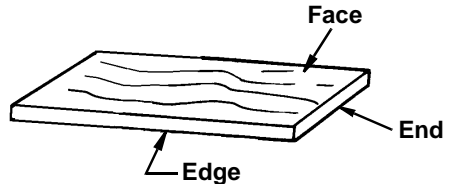
Throwing of pieces in a manner similar to a kickback.

**Trailing End**

The workpiece end last cut by the knives.

**Workpiece**

The item on which the cutting operation is being performed. The surfaces of a workpiece are commonly referred to as faces, ends and edges.



## Motor Specifications and Electrical Requirements

### Power Supply and Motor Specifications

**⚠ WARNING:** To reduce the risk of electrical hazards, fire hazards or damage to the tool, use proper circuit protection. Your tool is wired at the factory for operation using the voltage shown. Connect tool to a power line with the appropriate voltage and a 15-amp branch circuit. Use a 15-amp time delay type fuse or circuit breaker. To reduce the risk of shock or fire, replace power cord immediately if it is worn, cut, or damaged in any way.

The A-C motor used on this tool is an universal non-reversible type, having the following specifications:

Voltage	110-120
Amperes	15
Hertz (Cycles)	60
Phase	Single
Cuts per minute-CPM	18,000
Rotation of Shaft	Clockwise

### General Electrical Connections

**⚠ DANGER:** To reduce the risk of electrocution:

1. Use only identical replacement parts when servicing. Servicing should be performed by a qualified service technician.
2. Do not use in rain or where floor is wet. This tool is intended for indoor use only.

**⚠ WARNING:** To reduce the risk of electrical shock do not permit fingers to touch the terminals or plug when installing or removing the plug to or from the outlet.

If power cord is worn or cut, damaged in any way, have it replaced immediately.

### 110-120 Volt, 60 Hz. Tool Information

**NOTE:** The plug supplied on your tool may not fit into the outlet you are planning

to use. Your local electrical code may require slightly different power cord plug



connections. If these differences exist refer to and make the proper adjustments per your local code before your tool is plugged in and turned on.

In the event of a malfunction or breakdown, grounding provides a path of least resistance for electric current to reduce the risk of electric shock. This tool is equipped with an electric cord having an equipment grounding conductor and a grounding plug, as shown. The plug must be plugged into a matching outlet that is properly installed and grounded in accordance with all local codes and ordinances.

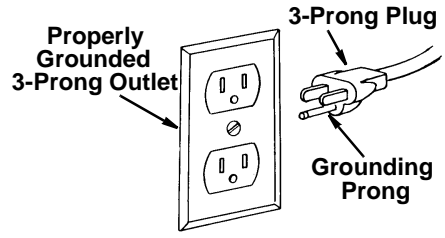
Do not modify the plug provided. If it will not fit the outlet, have the proper outlet installed by a qualified electrician.

Improper connection of the equipment grounding conductor can result in a risk of electric shock. The conductor with insulation having an outer surface that is green with or without yellow stripes is the equipment grounding conductor. If repair or replacement of the electric cord or plug is necessary, do not connect the equipment-grounding conductor to a live terminal.

If the grounding instructions are not completely understood, or if you are in doubt as to whether the tool is properly

grounded check with a qualified electrician or service personnel .

**⚠ WARNING:** If not properly grounded, this tool can cause an electrical shock, particularly when used in damp locations, in proximity to plumbing, or out of doors. If an electrical shock occurs there is the potential of a secondary hazard, such as your hands contacting the knives.



### Motor Safety Protection

**IMPORTANT:** To reduce the risk of motor damage, this motor should be blown out or vacuumed periodically to keep sawdust from interfering with normal motor ventilation.

1. Connect this tool to a power source with the appropriate voltage for your model and a 15-amp branch circuit with a 15-amp time delay fuse or circuit

breaker. Using the wrong size fuse can damage the motor.

2. If the motor won't start, turn off the power switch immediately and unplug the tool. Check the cutter head to make sure it turns freely. If the head is free, try to start the motor again. If the motor still does not start, refer to the "Troubleshooting Chart."

## Motor Specifications and Electrical Requirements (continued)

3. Fuses may "blow" or circuit breakers may trip frequently if:
  - a. **Motor Is Overloaded**-Overloading can occur if you feed too rapidly or make too many start/stops in a short time.
  - b. Line voltages should not be more than 10% above or below the nameplate voltage. For heavy loads, however, the voltage at motor terminals must equal the voltage specified for your model.
  - c. Improper or dull cutter knives are used.

**NOTE:** Do not continuously use the thickness planer set at maximum depth of cut (1/8") and at full 13" width of cut. Continuous use at maximum cutting capacity will damage your motor.

4. Most motor troubles may be traced to loose or incorrect connections, overload, low voltage (such as small size wire in the supply circuit) or to overly long supply circuit wire. Always check the connections, the load and the supply circuit whenever motor doesn't work well. Check wire sizes and length with the Wire Size Chart.

---

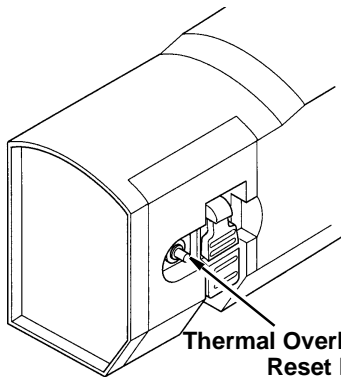
### Thermal Overload Protector

This planer is equipped with a thermal overload protector device which will automatically "trip" and cause the planer to shut down if the planer is overheating due to continuous heavy cutting.

The planer overload protector can only be reset manually by the user after the planer had been allowed to adequately cool. Allow 15-30 minutes.

Should the overload protector "trip":

1. Turn switch off.
2. Raise carriage and remove board.
3. Wait 15-30 minutes.
4. Push in on the reset button.
5. If motor has cooled, button will remain in.



### Wire Sizes

**NOTE:** Make sure a proper extension cord is used and it is in good condition.

The use of any extension cord will cause some loss of power. To keep this to a minimum and to prevent overheating and motor burn-out, use the table below to determine the minimum wire size (A.W.G.) extension cord.

Use only 3-wire extension cords which have 3-prong grounding type plugs and 3-pole receptacles which accept the tools plug.

Extension Cord Length	Wire Sizes Required for (A.W.G.)
0-50 Ft.	14
50-100 Ft.	10

# Unpacking and Checking Contents

---

## Tools Needed

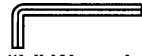
### Tools Required for Alignment



Straightedge



Wrench 8mm/10mm



Hex "L" Wrench 4mm

## Unpacking

**⚠ WARNING:** To reduce the risk of injury from unexpected starting or electrical shock, do not plug the power cord into a source of power during unpacking and assembly. This cord must remain unplugged whenever you are working on the thickness planer.

Your thickness planer, is shipped complete in one box.

**NOTE:** Every RIDGID 13" thickness planer is tested at the factory to insure its performance. You may see a small amount of wood dust and chips on your new planer.

**⚠ WARNING:** If any part is missing or damaged, do not plug the thickness planer in until the missing or damaged part is correctly replaced. To reduce the risk of electric shock, use only identical replacement parts.

Remove the protective oil that is applied to all unpainted metal surfaces. Use any ordinary household type grease and spot remover.

**⚠ WARNING:** To reduce the risk of fire or toxic reaction, never use gasoline, naphtha or similar highly volatile solvents.

Apply a coat of paste wax to the table. Wipe all parts thoroughly with a clean, dry cloth.

**⚠ WARNING:** For your own safety, never connect plug to power source outlet until all assembly steps are complete, and you have read and understand the safety and operating instructions.

---

## List of Loose Parts

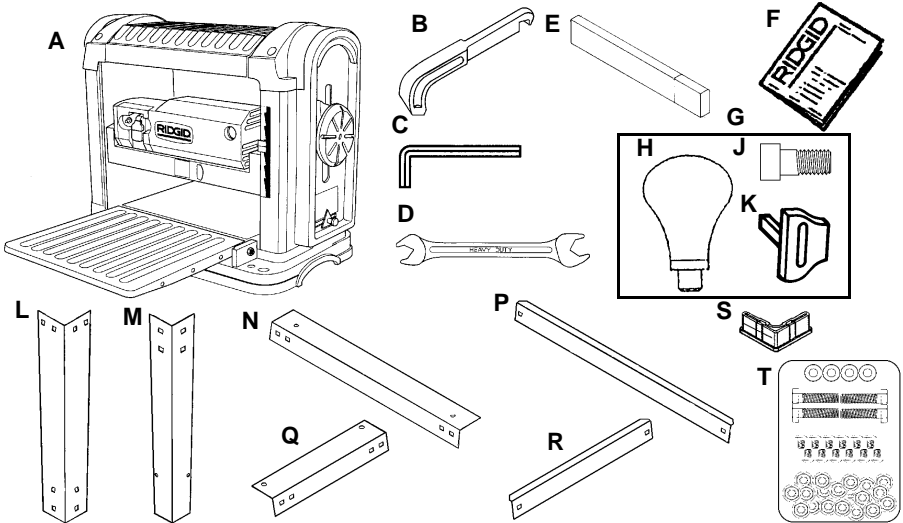
**NOTE:** Before beginning assembly, check that all parts are included. If you are missing any part, do not assemble the thickness planer. Call 1-866-539-1710 to get the missing part. Sometimes small parts can get lost in packaging material. Do not

throw away any packaging until thickness planer is put together. Check packaging for missing parts before contacting RIDGID.

# Unpacking and Checking Contents (continued)

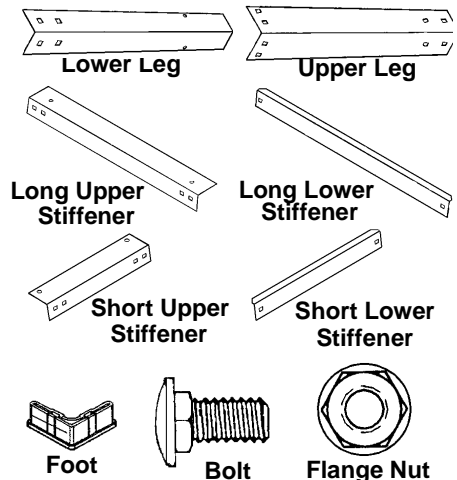
The following parts are included:

Item	Description	Qty	Item	Description	Qty
A	Thickness Planer	1	J	Screw M5 x 0.8-10	1
B	* Magnetic Knife Handling Tool	1	K	Switch Key	1
C	* Hex "L" Wrench 4mm	1	L	Upper Leg	4
D	* Open End Wrench 8mm/10mm	1	M	Lower Leg	4
E	Replacement Blades/Blade Case ..1 (stored under rear table)	1	N	Long Upper Stiffener	2
F	Operator's Manual	1	P	Long Lower Stiffener	2
G	Bag of Loose Parts ..1 (Contains the following items)	1	Q	Short Upper Stiffener	2
H	Handle	1	R	Short Lower Stiffener	2
			S	Foot	4
			T	Hardware pack, Legset Hardware	1
				* Supplied in "Tool Box"	



## Assembling Legset

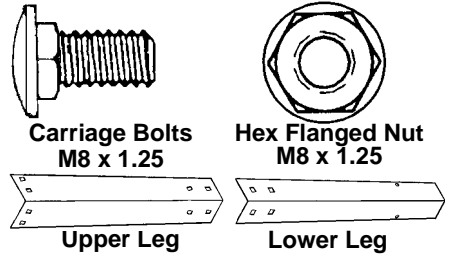
- Locate the following parts:
    - 4 Lower Legs
    - 4 Upper Legs
    - 2 Long Upper Stiffeners
    - 2 Short Upper Stiffeners
    - 2 Long Lower Stiffeners
    - 2 Short Lower Stiffeners.
  - From the leg set hardware bag find the following:
    - 4 Feet
    - 32 Carriage Bolts M8 x 1.25
    - 32 Hex Flanged Nuts M8 x 1.25
- NOTE:** Hardware not shown actual size.



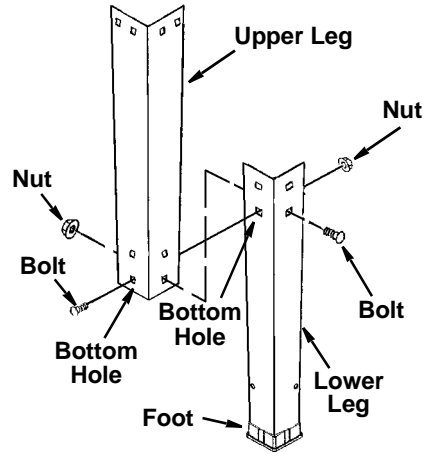
## Assembling Upper and Lower Legs

1. Locate the following parts and hardware:

8 Carriage Bolts M8 x 1.25  
8 Hex Flanged Nuts M8 x 1.25  
4 Upper Legs  
4 Lower Legs  
4 Feet



2. Position the lower leg inside the upper leg as shown. Place a bolt only through the bottom hole of the upper leg and through the bottom hole of the lower leg. Attach a nut but only finger tighten.
3. Repeat for other three leg assemblies.
4. Assemble foot to bottom of lower leg. Repeat for other three leg assemblies.

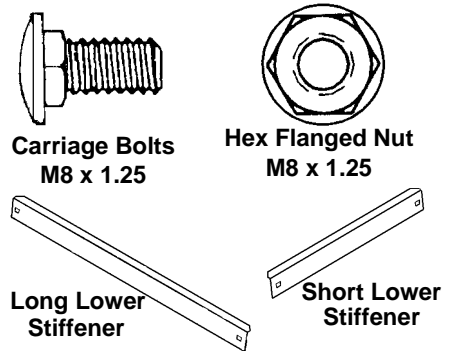


---

## Assembling Lower Stiffeners

1. Locate the following parts and hardware:

8 Carriage Bolts M8 x 1.25  
8 Hex Flanged Nuts M8 x 1.25  
2 Long Lower Stiffeners  
2 Short Lower Stiffeners



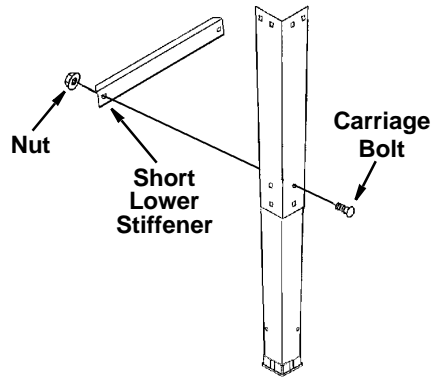
## Assembling Legset (continued)

### Assembling Lower Stiffeners (cont.)

2. Assemble the lower stiffeners to the legs as shown. Finger tighten the nuts.

Make sure:

- The long and short lower stiffeners fit inside the legs.
- The short stiffeners must be assembled on opposite sides of the leg set. (The same for the long stiffeners.).



### Assembling Upper Stiffeners

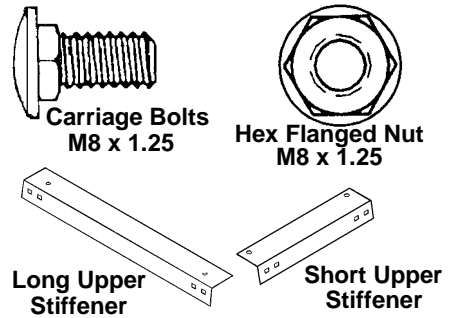
1. Locate the following parts and hardware:

16 Carriage Bolts M8 x 1.25

16 Hex Flanged Nuts M8 x 1.25

2 Long Upper Stiffeners

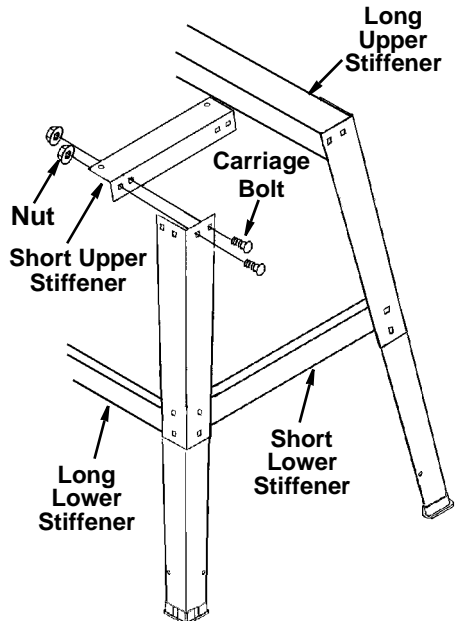
2 Short Upper Stiffeners



2. Assemble the upper stiffeners to the legs as shown. Finger tighten nuts.

Make sure:

- The long upper stiffeners go over the short upper stiffeners. Make sure the stiffeners go inside the legs.
  - The short upper stiffeners go opposite each other, same as the long upper stiffeners.
  - The planer mounting holes in the top of the legset are aligned.
3. Go back and tighten all nuts.



## Mounting The Thickness Planer

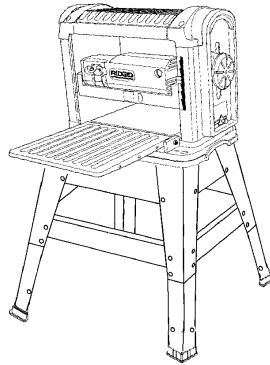
### Mounting on Legset

- ⚠ WARNING:** To reduce the risk of injury from unexpected planer movement:
- Unplug electric cord.
  - To reduce the risk of back injury, hold the tool close to your body when lifting. Bend your knees so you can lift with your legs, not your back. Lift by using the hand-hold areas at each side of the bottom of the base or by the carrying handles.
  - Place the planer so other people cannot stand behind it. Thrown debris could injure people in its path.
  - Place the planer on a firm, level surface where there is plenty of room for handling and properly supporting the workpiece.
  - Bolt or clamp the planer to its support.

### Mounting Thickness Planer on Supplied Legset

- Locate 4 hex screws M8 x 1.25 and the remaining 4 flange nuts and 4 washers in parts bag.
- Position leg set at the desired location .
- Mount the thickness planer as shown with provided hardware. Only finger tighten nuts at this time.

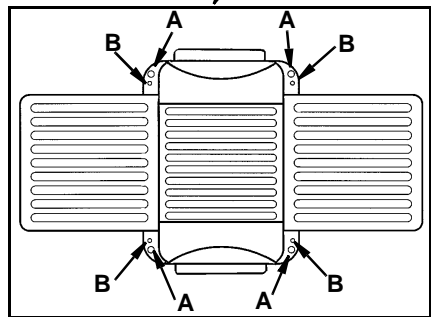
If necessary shift the leg set to adjust for slightly unlevel floor. Securely tighten all hardware.



### Mounting Board or Work Surface

### Mounting Thickness Planer on Other Legsets or Work Benches

Place the planer in the desired location on either a workbench or other recommended leg set. The base of the planer has eight mounting holes. Four smaller holes for “drywall” screws are labeled B. Four larger holes for bolts are labeled A (see illustration). Place a bolt through the larger holes. Attach a washer and nut and securely tighten.

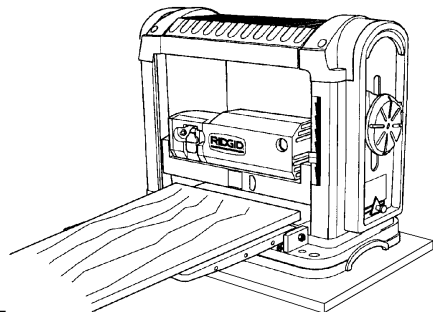


### Portable Applications

To mount the planer to a 3/4" piece of plywood, use 4, 1/4" bolt holes **or** the 4 dry-wall screw holes. The mounting board can then be clamped down to prevent it from tipping.

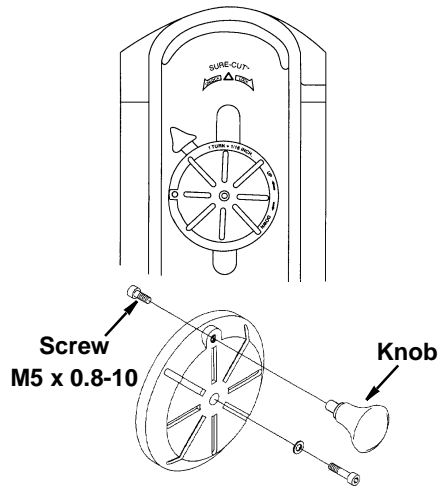
### Work Bench Applications

Mount as specified in portable applications. Check for workpiece clearances to front and rear of planer.



## Installing the Handwheel Knob

1. Locate the handwheel knob and screw in the loose parts bag.
2. Use the hex "L" wrench from the tool box to remove the screw from the center of the handwheel and remove the handwheel from the unit.
3. Place the screw through the back of the handwheel and secure the screw to the knob on the front of the handwheel.
4. Place the handwheel back on the elevation shaft and reinstall the screw in the center of the handwheel.



## Alignment (Adjustments)

### Extension Assembly Alignment

**⚠ WARNING:** To reduce the risk of injury from unexpected starting or electrical shock, do not plug the thickness planer in. The power cord must remain unplugged whenever you are adjusting or aligning the thickness planer.

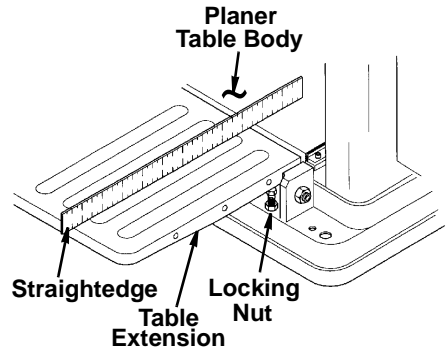
**NOTE:** Align only one extension at a time. Elevate the motor enough to give a proper view of the table body and clearance of the knives.

**⚠ WARNING:** Knives are extremely sharp and could seriously injure your hands or arms.

1. Place a straight edge across table body and over infeed extension as shown.

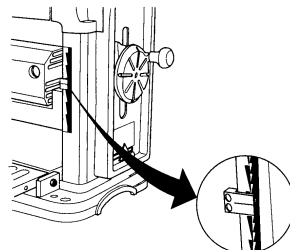
Loosen locking nut and adjust each side of the table until the straightedge touches the outer edge of table extension. Tighten the locking nuts.

2. Repeat step 1 for outfeed extension.



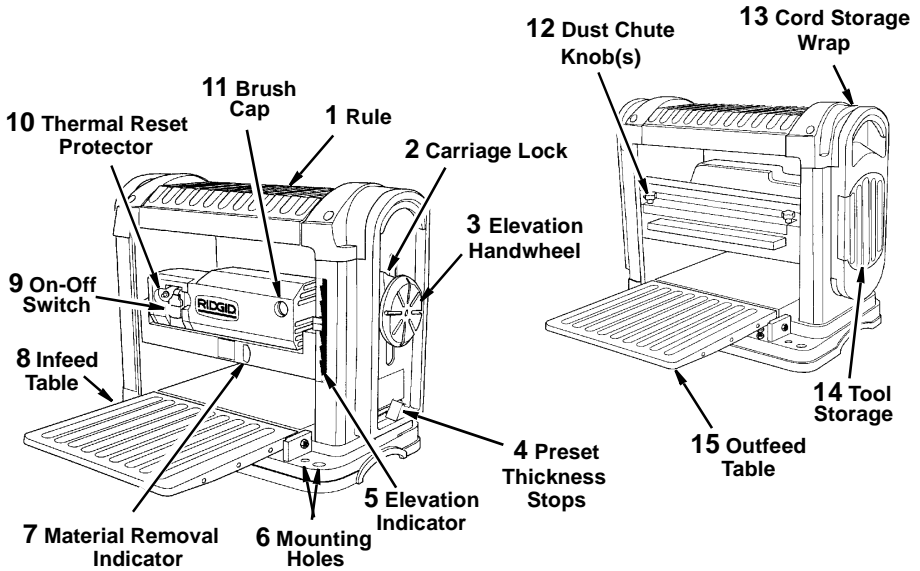
### Adjusting the Thickness Indicator

The elevation indicator is preset at time of manufacture. To check indicator select a piece of stock at least 12" long and 3/4" thick. Set planer to 11/16" and run stock through planer. Measure wood after planing and if necessary, loosen screws to adjust elevation indicator to agree with measurement.





# Getting to Know Your Thickness Planer



1. **Rule.** Quickly check the thickness of a workpiece.
2. **Carriage Lock.** Firmly “locks” the cutter head assembly to help minimize snipe.
3. **Elevation Handwheel.** Raises or lowers the cutter head for the desired cut. Each full revolution of the elevation handwheel will raise or lower the cutter head 1/16”
4. **Preset Thickness Stops.** Limits cutter head to predetermined thickness.
5. **Elevation Indicator.** Indicates the height the cutter head is from the table.
6. **Mounting Holes.** Reduces the risk of injury from unexpected planer movement. Smaller holes are for “drywall” screws, larger holes for bolts, nuts and washers.
7. **Material Removal Indicator.** Indicates how much material is being removed.
8. **Infeed Table.** Supports and guides the workpiece at the start of a cut.
9. **On/Off Switch.** Lockable, has removable yellow key which helps to pre-

vent unauthorized use.

10. **Thermal Reset Protector.** Opens the power line circuit when the motor temperature exceeds a safe level, when the motor is overloaded, or when a lower voltage condition exists.
11. **Brush Caps.** Provides access to inspect or replace carbon motor brush.
12. **Dust Chute Knobs.** Used to attach dust chute and cover the cutter head.
13. **Cord Storage Wrap.**
14. **Tool Storage.** Contains tools and instructions for changing knives.
15. **Outfeed Table.** Supports and guides the workpiece at the end of a cut. Replacement knives stored under outfeed table.
16. **Cutter Head.** (Not illustrated) Rotating cylinder which holds knives. Located under dust chute.
17. **Cutter Head Lock.** (Not illustrated) Red lever, located to the left end of the cutter head. Automatically activated when dust chute is removed.

# Safety Instructions for Basic Thickness Planer Operations

---

## Before Using The Thickness Planer

**⚠ WARNING:** To reduce the risk of mistakes that could cause serious, permanent injury, do not plug the thickness planer in until the following steps are completed.

- Completely assemble and align thickness planer. (See “Assembly” and “Alignment” sections).
- “See Getting To Know Your thickness Planer” section.
- Review and understand all safety instructions and operating procedures in this manual.
- Review the maintenance methods for this thickness planer. (See “Maintenance” Section).

---

## Before Each Use

### Inspect your thickness planer.

- Disconnect the thickness planer. To reduce the risk of injury from accidental starting, unplug the thickness planer, before changing the setup, changing the blade or adjusting anything.

### Check for Damaged Parts. Check for:

- Proper alignment of moving parts,
- Damaged electric cords,
- Binding of moving parts,
- Broken parts,
- Stable mounting,
- Other conditions that may affect the way the thickness planer works.

Before each use, make sure area under the cutter head and feed rollers is clear.

If any part of this thickness planer is missing, bent, or broken in any way, or any electrical parts don't work, turn the thickness planer off and unplug it.

Replace damaged, missing, or failed parts before using the thickness planer again.

To reduce possibility of throwing pieces, make sure the knives are properly installed and the knife lock screws are tight.

Use sharp knives. Dull or knicked knives tend to “pound” and chew at the wood, causing kickbacks.

Replace dull or damaged planer knives.

Make sure the deflector or dust collector is in place.

**Keep Guards in Place**, in working order, and in proper adjustment.

**Maintain Tools With Care.** Keep the thickness planer clean for best and safest performance. Follow instructions for lubricating. **DON'T** lubricate any part of the thickness planer while the knives are rotating.

---

## Plan Ahead To Protect Your Eyes, Hands, Face and Ears

Know Your Thickness Planer. Read and understand the operator's manual and labels affixed to the tool. Learn its application and limitations as well as the specific potential haz-

ards peculiar to this tool.

To reduce the risk of injury from accidental contact with moving parts, don't do layout, assembly, or setup work on the thickness planer while

any parts are moving.

**Reduce The Risk Of Accidental Starting.** Make sure switch is “OFF” before plugging thickness planer into a power outlet.

### Plan your work.

### Dress For Safety

Any power tool can throw foreign objects into the eyes. This can result in permanent eye damage. Wear safety goggles (not glasses) that comply with ANSI Z87.1 (or in Canada CSA Z94.3-99) shown on package. Everyday eyeglasses have only impact resistant lenses. They are not safety glasses. Safety goggles are available at many local retail stores. Glasses or goggles not in compliance with ANSI or CSA could seriously hurt

you when they break.



- Do not wear loose clothing, gloves, neckties or jewelry (rings, wrist watches). They can get caught and draw you into moving parts.
- Wear nonslip footwear.
- Tie back long hair.
- Roll long sleeves above the elbow.
- Noise levels vary widely. To reduce the risk of possible hearing damage, wear ear plugs or muffs when using thickness planer for hours at a time.
- For dusty operations, wear a dust mask along with safety goggles.

Keep hands at least 20cm (8") from the outfeed. Don't grip board tightly or pull board. A sudden kickback could pull hand into cutters.

Keep hands away from moving parts.

---

## Inspect Your Workpiece

- Make sure there are no nails or foreign objects in the part of the workpiece to be planed.
- Use quality lumber. Knives last longer and cuts go smoother on good wood.
- Do not plane undersized wood. Boards which are too thin or too

- short could split while being planed.
- Plane boards (12") 30cm or longer only. Short boards can jam or split and cause dangerous kickbacks.
- Use for solid wood and wood products only. Do not plane metals, plastics or laminated materials.

---

## Whenever Thickness Planer Is Running

**▲ WARNING:** Don't allow familiarity (gained from frequent use of your thickness planer) to cause a careless mistake. A careless fraction of a second is enough to cause a severe injury.

Before starting to plane a board, watch the thickness planer while it runs. If it makes an unfamiliar noise or vibrates a lot, stop immediately. Turn the thickness planer off. Unplug the thickness planer. Do not restart until finding and correcting the problem.

# Safety Instructions for Basic Thickness Planer Operations (continued)

**Plan the way you will hold the workpiece from start to finish:**

- **Avoid awkward operations** and hand positions where a sudden slip could cause fingers or hand to move into the knives.
- **Don't Overreach.** Keep good footing and balance.
- **Do not force the cut.** Slowing or stalling the motor will overheat it. Allow the automatic feed to function properly.
- **Support workpiece.** Do not allow the board to hang from the planer.
- **Never** use another person as a substitute for a table extension, or as additional support for a workpiece that is longer than the basic thickness planer table or to help feed, support or pull the workpiece.

**Take Precautions Against Kickback.** Do not permit anyone to stand or cross in line with the path of the board through the thickness planer. A kickback or thrown debris will travel in this direction.

**Keep Children Away.** Keep all visitors a safe distance from the thickness planer. Make sure bystanders are clear of the thickness planer and workpiece.

Let the blade reach full speed before planing.

Turn switch off and unplug tool before inspecting, adjusting or repairing the planer.

**Before freeing jammed material:**

- Turn switch "OFF".
- Wait for all moving parts to stop.
- Unplug the thickness planer.

## Basic Thickness Planer Operations

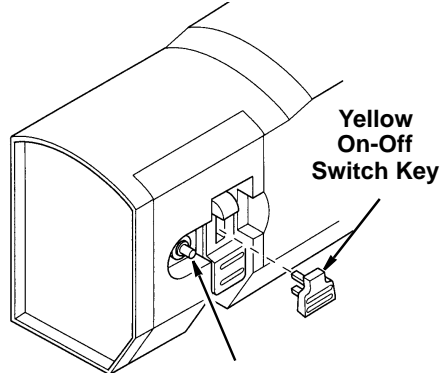
### Before You Begin

1. Locate the planer where it is intended to be used. Take into consideration the length of wood you would normally plane allowing ample room for infeed and outfeed operations.

**⚠ WARNING:** Before turning switch on make sure the dust chute is correctly installed. The ON-OFF switch has a locking feature. This feature is intended to prevent unauthorized use by children and others.

2. Locate the yellow On-OFF switch key from parts bag. Insert into the switch.
3. To turn planer on, stand to either side of the planer, never in line with the opening. Insert finger under the switch and lift key up.
4. To turn planer off push key down. Never leave the planer until the cutting

head has come to a complete stop.



**Thermal Overload Protector Reset Button**

5. To lock switch in "OFF" position simply remove the key when in the off position. Always lock the switch "OFF" when planer is not in use. Remove key and keep it in a safe place. Also, in the event of power failure (all of your lights go out) turn switch off, lock it by remov-

ing the key. This will prevent the planer from starting up again when the power comes back on.

6. Refer to “Thermal Overload Protection” section for proper use.

---

## Reduce Damage To Knives

The thickness planer is a precision wood working machine and should be used on quality lumber.

Do not plane dirty boards, dirt and small stones are abrasive and will wear the blade.

Remove nails and staples. The planer should only cut wood.

Avoid Knots. Heavy cross grain makes the knots hard, also, they can come loose and jam the blade.

**⚠ WARNING:** Any particle that may encounter the planer knives may be thrown from the planer creating the risk of severe injury.

---

## Preparing the Work

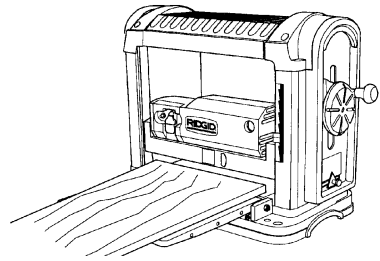
The thickness planer works best when the lumber has at least one flat surface.

Use a hand plane or jointer to define a flat surface.

Twisted or severely warped boards can jam the planer, rip lumber in half to reduce the magnitude of the warp.

The work should be fed with the grain, sometimes the grain will switch directions in the middle of the cut. If possible, cut the board in the middle before planing so the grain direction is correct.

**⚠ WARNING:** Do not plane a board which is less than 12" long, the force of the cut could split the board and cause a kickback resulting in serious personal injury.



---

## Carriage Lock

The carriage lock (see “Getting To Know Your Thickness Planer” section) helps to minimize “snipe” by locking the cutter head position. Snipe is a change in thickness at either end of the board, caused by an uneven force on the cutter head when work is entering or leaving the planer.

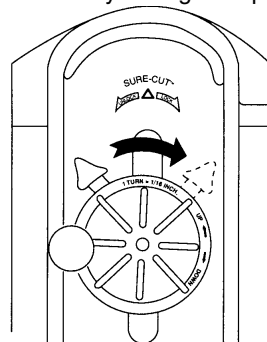
Pushing the carriage lock to the left will release the cutter head assembly. Set planer to the correct thickness (see below) and then push the carriage lock to the right. This will lock the cutter head assembly in place and help to minimize snipe.

A snipe may occur when boards are not supported properly (see “Extension Assembly Alignment” section).

In a few instances it is impossible to elimi-

nate “snipe”. A slight snipe may still be noticed. Snipe is more apparent when deeper cuts are being taken.

To avoid snipe when planing more than one board of the same thickness, butt the boards together end to end so they follow each other closely through the planer.



## Basic Thickness Planer Operations (continued)

---

### Carriage Lock Adjustment

The carriage lock is preadjusted at the factory. If the carriage lock lever does not tighten when moved to the lock position, follow the steps below to adjust.

1. Remove the switch key and unplug the unit from the wall outlet.
2. Remove the top cover for visibility.
3. Use the hex wrench provided and remove the screw in the center of the handwheel. Note the position of the carriage lock lever.
4. Pull the carriage lock lever straight out. This will disengage the carriage lock lever from the mating lock nut.
5. Slightly rotate the carriage lock lever counterclockwise and reengage the

carriage lock lever teeth onto the lock nut.

Example: If your carriage lock is at a 2 o'clock position before adjustment, move the lever counterclockwise to a 1 o'clock position.

6. Turn the lock lever clockwise to the lock position to assure it is tightening (force to the push the lever is increasing). Then turn the lever counterclockwise to the unlock position to assure it becomes very loose in the unlocked position. If the lock lever is not tightening in the lock position then repeat steps 5 & 6.
7. Replace the handwheel, secure the screw with the hex wrench and reinstall the top cover.

---

### Elevation Handwheel

**⚠ WARNING:** To reduce the risk of electrical shock, unwrap cord from cord storage before raising or lowering carriage.

Turn the elevation handwheel (see "Getting to Know Your Thickness Planer" sec-

tion), to set the planer for the correct depth of cut. The surface the planer will produce will be smoother if a shallower depth of cut is used. Each full revolution of the elevation handwheel will raise or lower the cutter head 1/16".

---

### Feeding the Work

The feed rate refers to the rate at which the lumber travels through the planer.

The planer feed is automatic, it will vary slightly depending on the type of wood cut and depth of cut.

The operator is responsible for aligning the work so it will feed properly.

Stand to one side of the planer infeed table.

Lift the work to the infeed extension by grasping the edges of the board at approximately the middle of the length.

Boards longer than 24" should have additional support from free standing material stands.

Rest the board end on the infeed support extension and direct the board into the planer.

Push slightly on the board and allow the

automatic feed to take the board. Release the board and allow the automatic feed to function properly. Do not push or pull on the workpiece.

**⚠ WARNING:** To avoid serious personal injury do not stand directly in line with the front or rear of the planer, when an object is thrown from the planer it will travel in this direction.

Move to the rear and receive the planed lumber by grasping it in the same manner as it was fed.

Do not grasp any portion of the board which has not gone past the outfeed extension.

Repeat this operation on all the boards which need to be the same thickness.

**NOTE:** An assistant must follow the same precaution as the operator.

The surface that the planer will produce will be smoother if a shallower depth of cut is used. See “Material Removal Indicator”.

Feed the work in the direction of the grain. Wood fed against the grain may result in a chipped splintered surface. If this occurs try feeding the other end of the board in first.

---

## Material Removal Indicator

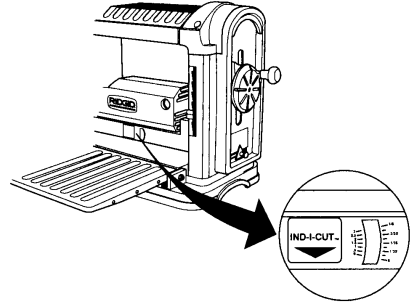
Indicates the amount of material being removed on each pass through the planer. Up to 1/8" max. Make sure the workpiece is under the Material Removal Indicator label on the front of the tool.

Recommended maximum depth of cut per pass through planer:

- 1/8" for material 0-6" in width
- 1/16" for material 6-13" in width

**NOTE:** Do not continuously use the thickness planer set at maximum depth of cut (1/8") and at full 13" width of cut. Continuous use at maximum cutting capacity will

damage your motor.



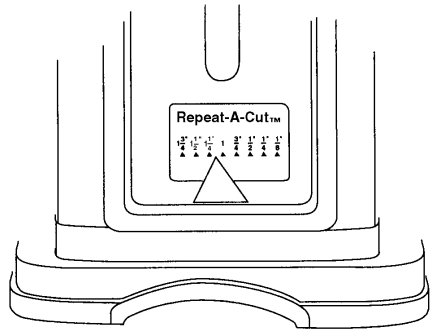
---

## Preset Thickness Stops (Repeat-A-Cut)

These stops are for repetitive planing to preset thickness. Planing a workpiece to one of these common thicknesses can be easily accomplished:

1. Raise carriage to greater than 1-3/4".
2. Slide the knob to the desired thickness setting.
3. Turn the elevation handle until the carriage contacts the thickness stop.
4. Lock the carriage lock.
5. Plane the workpiece and check the thickness. If the thickness is incorrect

follow the adjustment steps below.



---

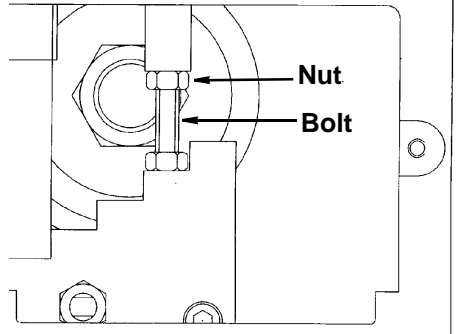
## Thickness Stop (Repeat-A-Cut) Adjustment

1. Pull the Repeat-A-Cut knob straight out to remove.
2. Remove the screw on the right side of the Repeat-A-Cut scale and remove the cover.
3. Measure the height from the base to the cutter head knife tip. This can be done with a scrap piece of board — 1-1/2" for example.
4. Use the elevation handwheel to adjust

- the height to the known thickness piece of scrap, then remove the piece of scrap without moving the handwheel.
5. Make sure the Repeat-A-Cut is on the 1-1/2" setting and loosen the lock nut on the adjustment bolt. Adjust the bolt to come in full contact with the step block and tighten the lock nut.
6. Replace the Repeat-A-Cut cover and secure it with the screw.

## Basic Thickness Planer Operations (continued)

7. Replace the knob.
8. Plane a workpiece and check its thickness. Repeat procedure, if necessary.



### Checking for Worn Knives

The condition of knives will affect the precision of the cut.

Observe the quality of the cut the planer produces to check the condition of the knives.

Dull knives will tear, rather than sever wood fibers, and produce a fuzzy appearance.

A raised ridge will occur when dull knives pound on wood that has a varying density.

If a raised ridge is produced running the length of the workpiece, the knives have been nicked. If the nick is small, shift one knife to the right and the other to the left. (see "Replacing Knives" section).

For knives replacement and installation refer to "Replacing Knives" section.

### Maintenance

The planer will operate best if it is kept in good condition. Keep the unit adjusted as described in the "Operation" section. Also, the knives must be kept clean and sharp to ensure the quality of cut and efficiency of operation. Knives are "double edged". When one side becomes dull they may be turned over and the opposite edge used.

**WARNING:** To reduce the risk of injury from unexpected starting or electrical shock. Make certain that the unit is disconnected from the power source, before attempting to service, or remove any component.

#### Lubrication

Motor and cutter head bearings are sealed and need no lubrication. Height adjustment guides and elevation screws should be cleaned of debris and greased when needed.

Occasionally apply a few drops of light

machine oil to the four support rods to keep the carriage sliding smooth.

#### Cleaning the Knives

Gum and pitch will collect on knives and cause excess friction when working. Knives will overheat and wear at an accelerated rate. Remove knives and clean with a gum and pitch remover to keep knives clean.

#### Cleaning The Feed Rollers

Excessive gum, pitch and sawdust can reduce friction of the rubber rollers. Use alcohol to wipe the rollers.

#### Motor Ventilation

Check the motor vents periodically while planing and clear away any sawdust to avoid motor heating.



## Changing Brushes

**⚠ WARNING:** To reduce the risk of electrical shock, fire or injury, use only parts identical to those identified in the parts list. Reassemble exactly as original assembly to reduce the risk of electrical hazards.

The carbon brushes furnished will last approximately 50 hours of running time or 10,000 on/off cycles. Replace both carbon brushes when either brush has less than 1/4" length of carbon remaining. To inspect or replace first unplug the planer. Then turn the brush caps counterclockwise to remove. To reassemble reverse the procedure. Tighten the brush caps snugly but do not overtighten.

---

## Replacing Knives

Your thickness planer is supplied with double edged knives. Knives should be replaced or turned 180° to the unused edges whenever they become dull or nicked. Keeping a spare set of knives on hand is recommended. Knives should always be replaced as a matched set.

**⚠ WARNING:** Exposed knives are sharp and could injure you. To reduce the possibility of injury protect your hands with gloves or shop rag and use the knife tool when removing or installing knives.

1. Be sure the switch key is removed and the unit is unplugged from the wall receptacle.
2. For easier access to the cutter head/knife assembly remove the upper cover. See illustration.
3. Loosen the two dust chute knobs and remove the dust chute.  
**NOTE:** When dust chute is removed the cutter head lock will engage when the head is rotated. Do not operate thickness planer without the dust chute in place, or your planer will be damaged.
4. Rotate the cutter head until the lock

engages. This will correctly position a knife and its seven knife lock screws.

**⚠ WARNING:** To reduce the risk of injury from accidental contact with the exposed knife, when turning the knife lock screws, lay a folded shop rag over the knife or wear a glove.

5. Carefully loosen all seven knife locking screws.  
**NOTE:** Move wrench left to right to loosen screws.
6. Use the notched end of the Magnetic Knife Handling Tool to remove the knife by hooking the notch over the end of the knife and pulling straight out.
7. Use the magnet on the Magnetic Knife Handling Tool to help remove the knife.
8. If you are changing to the second edge of the knife, rotate the knife "end for end" keeping the same flat side down. This will correctly position the knife to reinstall. Look closely at the cutter head side view making sure the knife is installed as pictured. Knives should be cleaned of gum and pitch before reinstalling.

## Maintenance (continued)

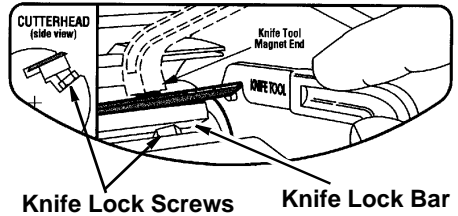
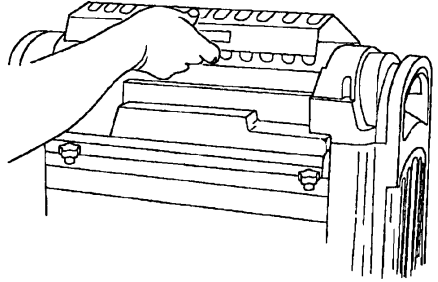
**⚠ WARNING:** To reduce the risk of thrown blades and other cutter head parts make sure the knife lock bar containing the seven knife lock screws is positioned as shown in the cutter head side view picture.

9. Push the installed knife in firmly. Visually check that the knife edge is parallel to the cutter head slot.
10. Tighten the seven (7) knife locking screws.

**NOTE:** Move wrench right to left to tighten.

11. To rotate the cutter head to the next knife, release the cutter head lock. Hold down on the red lock lever located on the left side and rotate the cutter head.
12. Release the red lock lever and continue to rotate the cutter head until it locks. This should correctly position the second knife.

13. Repeat procedures 5 through 10 for the second knife.
14. Check that all knife lock screws are tight and reinstall the dust chute.

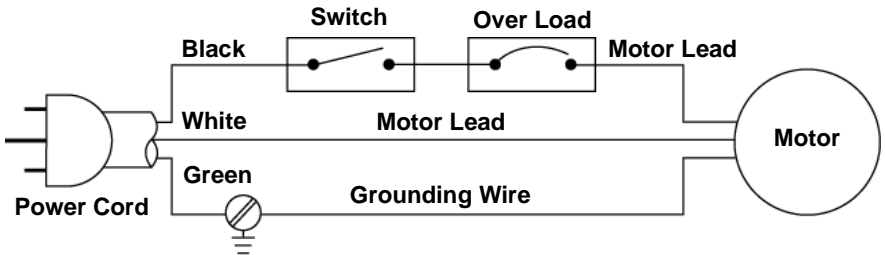


## Accessories

Do not use any accessory unless you have received and read complete instructions for its use.

Power Tool Universal Legset.....	AC9910
Dust Collector.....	AC8640
Replacement Knives .....	AC8630

## Wiring Diagram



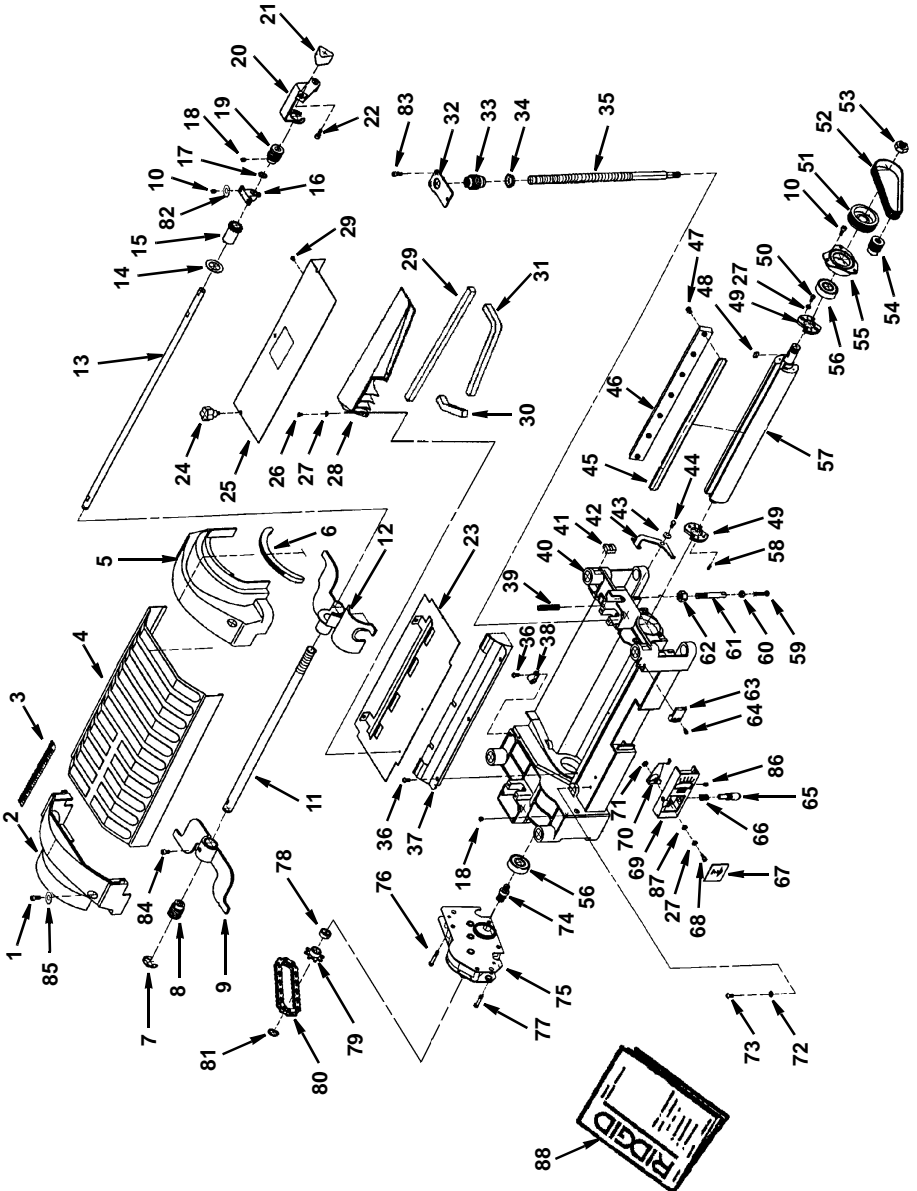
## Troubleshooting

Problem	Possible Cause	Remedy
Snipe (Gouging at ends of board)	<ol style="list-style-type: none"> <li>1. Dull knives</li> <li>2. Inadequate support of long boards</li> <li>3. Lumber not butted properly</li> <li>4. Extensions misaligned</li> </ol>	<ol style="list-style-type: none"> <li>1. Replace knives per instructions (See "Replacing Knives" section)</li> <li>2. Support long boards</li> <li>3. Butt end to end each piece of stock as boards pass through planer</li> <li>4. Adjust extension supports</li> </ol>
Fuzzy Grain	<ol style="list-style-type: none"> <li>1. Planing wood with a high moisture content</li> </ol>	<ol style="list-style-type: none"> <li>1. Remove high moisture content from wood by drying</li> </ol>
Torn Grain	<ol style="list-style-type: none"> <li>1. Too heavy a cut</li> <li>2. Knives cutting against grain</li> <li>3. Dull knives</li> </ol>	<ol style="list-style-type: none"> <li>1. Review "Depth of Cut" section</li> <li>2. Review "Feeding the Work" section</li> <li>3. Replace knives per instructions</li> </ol>
Rough Raised Grain	<ol style="list-style-type: none"> <li>1. Dull knives</li> <li>2. Too heavy a cut</li> <li>3. Moisture content too high</li> </ol>	<ol style="list-style-type: none"> <li>1. Replace knives per instructions</li> <li>2. Review "Depth of Cut"</li> <li>3. Dry the wood or use dried wood</li> </ol>
Uneven Depth Cut Side to Side	<ol style="list-style-type: none"> <li>1. Blade projection not uniform</li> </ol>	<ol style="list-style-type: none"> <li>1. Check that end of knife is fully seated in the cutter head.</li> </ol>
Cutter head Elevation Adjusts with Difficulty	<ol style="list-style-type: none"> <li>1. Elevation screws dirty</li> <li>2. Gears or screws worn</li> <li>3. Friction between casing and covers</li> </ol>	<ol style="list-style-type: none"> <li>1. Clean and lubricate elevation screws</li> <li>2. Replace</li> <li>3. Clean, lubricate</li> </ol>
Board Thickness Does Not Match Depth of Cut Scale	<ol style="list-style-type: none"> <li>1. Indicator not set correctly</li> <li>2. Knife projection incorrect</li> </ol>	<ol style="list-style-type: none"> <li>1. Adjust indicator/securely tighten</li> <li>2. Set knife projection correctly (See "Replacing Knives" section).</li> </ol>
Chain Jumping	<ol style="list-style-type: none"> <li>1. Sprockets worn</li> <li>2. Chain worn</li> </ol>	<ol style="list-style-type: none"> <li>1. Replace sprockets</li> <li>2. Replace chain</li> </ol>
Motor does not start	<ol style="list-style-type: none"> <li>1. Switch malfunction</li> <li>2. Overload protector tripped</li> <li>3. Supply fuse opens</li> <li>4. Brushes worn</li> <li>5. Other</li> </ol>	<ol style="list-style-type: none"> <li>1. Have a qualified electrician replace the ON/OFF switch.</li> <li>2. Turn power switch off. When planer temperature adequately cools (allow 15-30 minutes) press overload protector reset button.</li> <li>3. Replace fuse with a 15 amp time delay fuse, or circuit breaker.</li> <li>4. See "Maintenance" section, "Changing Brushes"</li> <li>5. Get authorized service.</li> </ol>
Dust chute is blocked	<ol style="list-style-type: none"> <li>1. Build up of resin under dust chute</li> <li>2. Large debris</li> </ol>	<ol style="list-style-type: none"> <li>1. Clean dust chute and exhaust area.</li> <li>2. Clear debris.</li> </ol>

Parts List for 13" Thickness Planer  
Model No. TP13002

RIDGID parts are available on-line at [www.ridgidparts.com](http://www.ridgidparts.com)

Figure 1



# Repair Parts

## Parts List for 13" Thickness Planer

Model No. TP13002

RIDGID parts are available on-line at [www.ridgidparts.com](http://www.ridgidparts.com)

Figure 1

Always order by Part Number - Not by Key Number

Key No	Part No.	Description	Key No	Part No.	Description
1	820380-6	Scr Hex Soc Butt Hd M6 x 1.0-20	46	827711	Bar Knife Lock
2	827681	Cap Left	47	827785	Screw Knife Lock
3	827713	Scale Length	48	818654-9	*Key 5 x12mm
4	827841	Cover Upper	49	827714	Collar Knife
5	827682	Cap Right	50	818469-6	*Scr Hex Soc Cap M4 x 0.75-8
6	827741	Pad Upper	51	827787	Pulley Cutter head
7	817453-1	Ring Retaining C17	52	827793	Belt Drive
8	827769	Worm Gear L.H.	53	827788	Nut Hex M6 x 2.0 L.H.
9	827720	Plate Lock Left	54	827789	Pulley Motor
10	820379-6	*Scr Hex Soc Cap M5 x 0.8-12	55	827786	Retainer Bearing
11	827717	Sleeve	56	820722-5	Bearing Ball 6203ZZ
12	827719	Plate Lock Right	57	827680	Head Cutter (Includes Collar knife, Retainer Bearing, Bear- ing Ball and Gear Pinion)
13	827726	Shaft Transmission	58	813249-76	Pin Spring 3 x 8mm
14	827766	Washer 21.5 x 24 x 1	59	821151-4	*Screw Hex Hd M5 x 0.8-26
15	827724	Nut Lock M17 x 2.0	60	813164-6	*Nut Hex M5 x 0.8
16	827754	Support	61	827729	Rod Step
17	827721	*Washer 12 x 16 x 1	62	827817	Nut Special M10 x 1.5
18	821065-2	*Scr Soc Set Cup Pt M5 x 0.8-8	63	827739	Indicator Depth
19	827723	Worm Elevation	64	820401-2	Scr Pan Hd M3 x 0.5-16
20	827699	Handle	65	827733	Rod Pointer Elevating
21	827716	Knob Snipe	66	827734	Spring Coil 8.5X19X0.8
22	820379-9	*Scr Hex Soc Cap M5 x 0.8-10	67	827746	Cover Pointer
23	827695	Chute Dust	68	813312	Scr Pan Cr M4 x 0.75-10
24	827753	Knob Chute	69	827701	Housing Pointer
25	827926	Cover Shroud	70	827732	Pointer
26	813312-6	*Scr Pan Hd M4 x 0.75-6	71	827762	Nut
27	821102-1	*Washer 4.2 x 10 x 0.9	72	813314-8	Lockwasher Ext Tooth M5
28	827697	Manifold Air	73	820257-1	Scr Pan Hd TY TT M5 x 0.8-8
29	827932	Gasket Rear	74	827784	Gear Pinion
30	827930	Gasket Right	75	828677	Gear Box Asm
31	827931	Gasket Left	76	820379-8	*Scr Hex Soc Cap M5 x 0.8-35
32	827750	Cover	77	820379-5	*Scr Hex Soc Cap M5 x 0.8-30
33	827770	Worm Gear R.H.	78	827773	Spacer 15 x 20 x 7
34	827759	Bushing	79	827772	Sprocket
35	827768	Screw Elevating R.H.	80	827794	Chain
36	820240-3	*Scr Pan Hd M5 x 0.8-6	81	817453-4	Ring Retaining Ext STW15
37	827704	Plate Dust Chute	82	820383-4	Lockwasher M5
38	827767	Clamp Cord	83	828027-1	Scr Hex Soc Hd Lock M5
39	827738	Spring /Plunger	84	828027	Scr Hex Soc Hd Lock M5x0.8-12
40	827678	Frame Upper	85	820383-5	Lockwasher M6
41	827725	Block Support	86	821065-1	Scr Soc Set Cup Pt M5 x 0.8-5
42	827751	Lock Cutter Head	87	827763	Bushing 4.2 x 11 x 3
43	827737	Spacer Cutter Head Lock	88	SP6452	Operator's Manual
44	820240-6	*Scr Pan Hd M5 x 0.8-12			
45	AC8630	†Knife Planer			

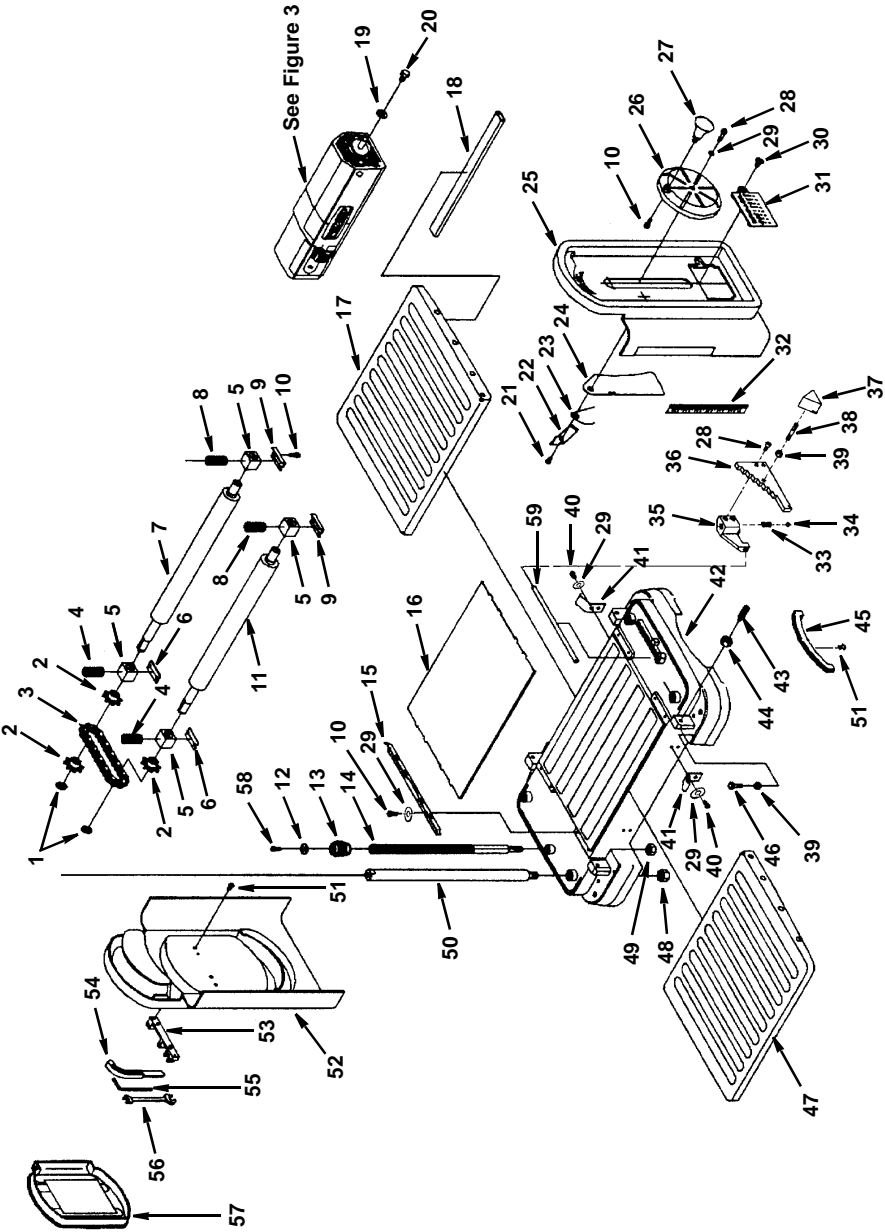
\* Standard Hardware Item - May be purchased locally.

† These replacement parts are available where you purchased your Planer.

Parts List for 13" Thickness Planer  
Model No. TP13002

RIDGID parts are available on-line at [www.ridgidparts.com](http://www.ridgidparts.com)

Figure 2



**Parts List for 13" Thickness Planer Model No. TP13002**  
**RIDGID parts are available on-line at [www.ridgidparts.com](http://www.ridgidparts.com)**

**Figure 2**

Always order by Part Number - Not by Key Number

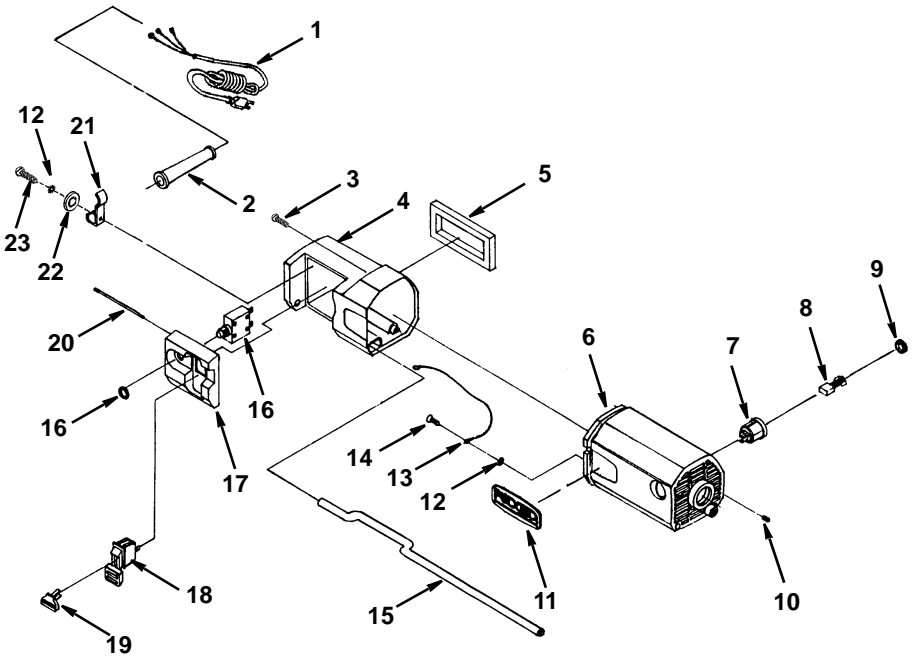
Key No	Part No.	Description
1	817453-4	Ring Retaining
2	827772	Sprocket
3	827794	Chain
4	827758	Spring Coil Left
5	827790	Block Bearing
6	827791	Plate Retainer Left
7	827693	Roller Outfeed
8	827755	Spring Coil Right
9	827792	Plate Retainer Right
10	820379-9	* Scr Hex Soc Cap M5 x 0.8-10
11	827692	Roller Infeed
12	827765	* Washer 5.5 x 19 x 2
13	827722	Worm Gear L.H.
14	827735	Screw Elevating L.H.
15	827705	Rail Guide
16	827694	Plate Wear
17	827688	Table Rear
18	827764	Case Knife (Knives not included)
19	821063-0	* Washer M8 x 23 x 2
20	813310	* Screw Hex Hd M8 x 1.25-20
21	820257-3	* Scr Pan Hd Ty "TT" M5 x 0.8-6
22	827928	Plate Stiffener
23	827744	Spring Torsion
24	827731	Plate Side Guard
25	827679	Cover Side Right
26	827696	Hub Handwheel
27	827749	Knob Handwheel
28	820379-2	* Scr Hex Soc Cap M5 x 0.8-15
29	820383-4	* Lockwasher M5
30	827929	Screw Hex Soc.FI Hd M6 x 1.0-12
31	827703	Cover Side RH
32	827715	Scale Thickness
33	827760	Spring Coil 7.62x15.75x0.7
34	823742-1	Ball Steel
35	827698	Block Guard
36	827700	Block Step
37	827743	Knob Step
38	827730	Pin Step Block
39	813164-7	* Nut Hex M6 x 1.0
40	820240-1	* Scr Pan Hd M5 x 0.8-10
41	827736	Spring Flat
42	827677	Base
43	827752	Bolt Adjustment
44	827817	Nut Hex Special M10 x 1.5
45	827742	Pad Base
46	821388-3	* Scr Hex M6 x 1.0-25
47	828028	Table Front
48	813164-10	* Nut Hex M12 x 1.75
49	817449-4	Nut Lock M10 x 1.5
50	827718	Rod Support
51	820257-1	* Scr Pan Hd Ty "TT" M5 x 0.8-8
52	827684	Cover Side Left
53	827771	Holder Tool
54	827748	Tool Knife
55	827757	* Wrench Hex "L" 4mm
56	827756	Wrench Box M8 & M10
57	827927	Cover Tool Box
58	820379-1	Scr Hex Soc Cap M5x0.8-8
59	827728	Rod Pivot

\* Standard Hardware Item - May be purchased locally.

# Repair Parts

## Parts List for 13" Thickness Planer Model No. TP13002

RIDGID parts are available on-line at [www.ridgidparts.com](http://www.ridgidparts.com)  
Figure 3



Always order by Part Number - Not by Key Number

Key No.	Part No.	Description	Key No.	Part No.	Description
1	827808	Cord w/plug	13	827812	Lead Ground
2	827799	Guard Cord	14	820257-1	* Screw Pan Hd Ty "TT" M5 x 0.8-8
3	820240-7	* Screw Pan Hd M5 x 0.8-20	15	827807	Rod Motor Pivot
4	827689	Housing Switch	16	827806	Switch Reset (Includes Nut)
5	827740	Gasket Foam	17	827708	Bezel Switch
6	827890	Motor (Includes Brushes)	18	826347	Switch Locking
7	827809	Holder Brush	19	AC1000	† Key Switch
8	827811	Brush	20	827797	Screw Special
9	827810	Cap Brush	21	827798	Clamp Cord
10	821065-3	* Screw Hex Soc Set M5 x 0.8-12	22	827765	* Washer 5.5 x 19 x 2
11	826463-4	Label RIDGID	23	820240-5	* Screw Pan Hd M5 x 0.8-30
12	820383-4	* Lockwasher M5			

\* Standard Hardware Item - May be purchased locally.

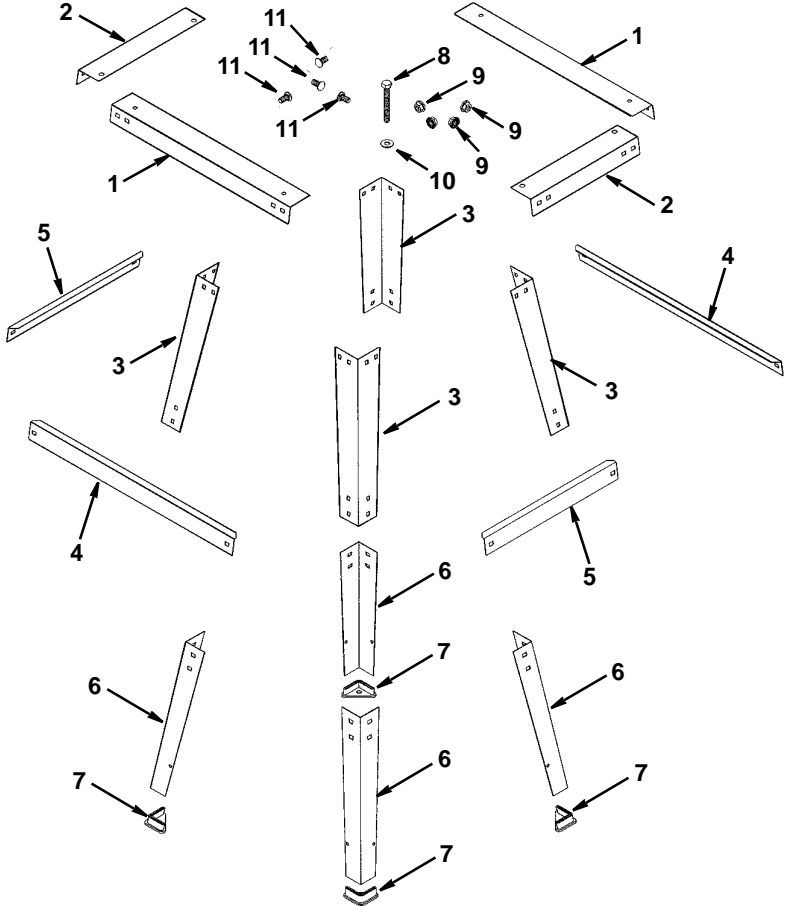
† These replacement parts are available where you purchased your Planer.



**Parts List for 13" Thickness Planer  
Model No. TP13002**

RIDGID parts are available on-line at [www.ridgidparts.com](http://www.ridgidparts.com)

**Figure 4 - Legstand**



Always order by Part Number - Not by Key Number

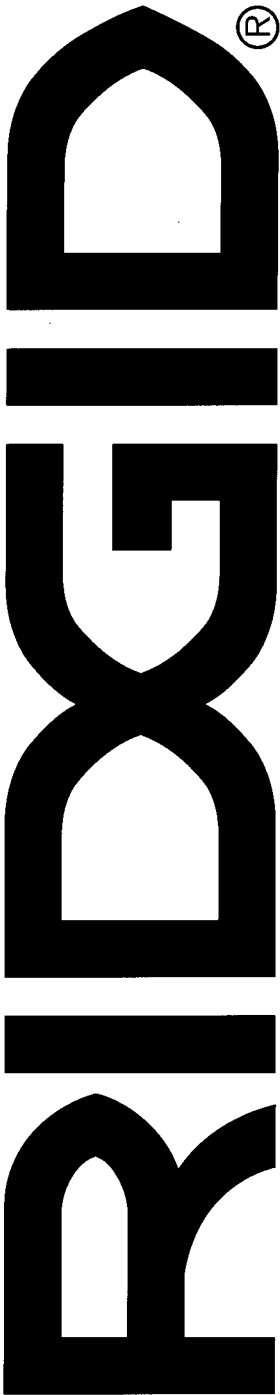
Key No.	Part No.	Description
1	829635	Stiffener Upper Long
2	829636	Stiffener Upper Short
3	829634	Leg Upper
4	829637	Stiffener Lower Long
5	829638	Stiffener Lower Short
6	829633	Leg Lower
7	829632	Foot

Key No.	Part No.	Description
8	813310-10	Screw Hex M8 x 1.25-65
9	829631	Nut Hex Flanged M8 x 1.25
10	821063-2	Washer M8 x 16 x 1.6
11	821103	Bolt Cup Sq Neck M8 x 1.25

\* Standard Hardware Item - May be purchased locally







One World Technologies, Inc.  
Hwy. 8  
Pickens, SC 29671

Part No. SP6452

## RIDGID™ HAND HELD AND STATIONARY POWER TOOL LIMITED THREE YEAR WARRANTY AND 90-DAY SATISFACTION GUARANTEE POLICY

This product is manufactured by One World Technologies, Inc., under a trademark license from Ridgid, Inc. All warranty communications should be directed to One World Technologies, Inc., attn: RIDGID handheld and stationary power tool technical service at (toll free) 1-866-539-1710.

### 90-DAY SATISFACTION GUARANTEE POLICY

During the first 90 days after the date of purchase, if you are dissatisfied with the performance of this RIDGID tool for any reason you may return the tool to the dealer from which it was purchased for a full refund or exchange. To receive a replacement tool you must present proof of purchase and return all original equipment packaged with the original product. The replacement tool will be covered by the limited warranty for the balance of the three year warranty period.

### WHAT IS COVERED UNDER THE LIMITED THREE YEAR WARRANTY

This warranty covers all defects in workmanship or materials in this RIDGID tool for the three year period from the date of purchase. This warranty is specific to this tool. Warranties for other RIDGID products may vary.

### HOW TO OBTAIN SERVICE

To obtain service for this RIDGID tool you must return it, freight prepaid, to an authorized RIDGID service center for hand held and stationary power tools. You may obtain the location of the authorized service center nearest you by calling (toll free) 1-866-539-1710 or by logging on to the RIDGID website at [www.ridgid.com](http://www.ridgid.com). When requesting warranty service, you must present the proof of purchase documentation, which includes a date of purchase. The authorized service center will repair any faulty workmanship, and either repair or replace any defective part, at our option at no charge to you.

### WHAT IS NOT COVERED

This warranty applies only to the original purchaser at retail and may not be transferred. This warranty only covers defects arising under normal usage and does not cover any malfunction, failure or defect resulting from misuse, abuse, neglect, alteration, modification or repair by other than an authorized service center for RIDGID branded hand held and stationary power tools. RIDGID, INC. AND ONE WORLD TECHNOLOGIES, INC. MAKE NO WARRANTIES, REPRESENTATIONS OR PROMISES AS TO THE QUALITY OR PERFORMANCE OF ITS POWER TOOLS OTHER THAN THOSE SPECIFICALLY STATED IN THIS WARRANTY.

### ADDITIONAL LIMITATIONS

To the extent permitted by applicable law, all implied warranties, including warranties of MERCHANTABILITY or FITNESS FOR A PARTICULAR PURPOSE, are disclaimed. Any implied warranties, including warranties of merchantability or fitness for a particular purpose, that cannot be disclaimed under state law are limited to three years from the date of purchase. One World Technologies, Inc. is not responsible for direct, indirect, incidental or consequential damages. Some states do not allow limitations on how long an implied warranty lasts and/or do not allow the exclusion or limitation of incidental or consequential damages, so the above limitations may not apply to you. This warranty gives you specific legal rights, and you may also have other rights which vary from state to state.

<b>Stock No. TP1300LS</b>	<b>Model No. TP13002</b>
<b>Serial No. _____</b>	<b>Model and serial numbers</b>
may be found on the center of base below out-feed table. You should record serial number in a safe place for future use.	

### QUESTIONS OR COMMENTS?

## CALL 1-866-539-1710

[www.ridgid.com](http://www.ridgid.com)

**Please have your Model Number and Serial Number on hand when calling.**

Form No. SP6452

Printed in Taiwan 9/03