

DR[®] TRIMMER/MOWER™



SAFETY & OPERATING INSTRUCTIONS

Models: Premier, Premier Plus, Pro, Pro-XL



Serial No. _____

Order No. _____

Original Language

DR Power Equipment
Toll-free phone: 1-800-DR-OWNER (376-9637)
Fax: 1-802-877-1213
Website: www.DRpower.com

! WARNING

Read and understand this manual and all instructions before operating the DR TRIMMER/MOWER.

Table of Contents

Chapter 1: General Safety Rules.....	3
Chapter 2: Setting Up The DR TRIMMER/MOWER	6
Chapter 3: Operating The DR TRIMMER/MOWER	10
Chapter 4: Maintaining The DR TRIMMER/MOWER.....	16
Chapter 5: Troubleshooting	21
Chapter 6: Parts Lists and Schematic Diagrams.....	26

Conventions used in this manual

WARNING

This indicates a hazardous situation, which, if not avoided, could result in death or serious injury.

CAUTION

This indicates a hazardous situation, which, if not avoided, could result in minor or moderate injury.

NOTICE

This information is important in the proper use of your machine. Failure to follow this instruction could result in damage to your machine or property.

Serial Number and Order Number

A Serial Number is used to identify your machine and is located on the Serial Number Label on your machine. An Order Number is used to check and maintain your order history and is located on the upper left portion of your packing slip. For your convenience and ready reference, enter the Serial Number and Order Number in the space provided on the front cover of this manual.

Additional Information and Potential Changes

DR Power Equipment reserves the right to discontinue, change, and improve its products at any time without notice or obligation to the purchaser. The descriptions and specifications contained in this manual were in effect at printing. Equipment described within this manual may be optional. Some illustrations may not be applicable to your machine.

Chapter 1: General Safety Rules

! WARNING

Read this safety & operating Instructions manual before you use the DR TRIMMER/MOWER. Become familiar with the operation and service recommendations to ensure the best performance from your machine. If you have any questions or need assistance, please contact us at www.DRpower.com or call toll-free 1-800-DR-OWNER (376-9637) and one of our Technical Support Representatives will be happy to help you.

Labels

Your DR TRIMMER/MOWER carries prominent labels as reminders for its proper and safe use. Shown below are copies of the Safety and Information labels that appear on the equipment. Take a moment to study them and make a note of their location on your DR TRIMMER/MOWER as you set up and before you operate the unit. Replace damaged or missing safety and information labels immediately.



#13649



#14823

WARNING: Check Oil Before Starting Engine

#137581

Protecting Yourself and Those Around You

! WARNING

This is a high-powered machine, with moving parts operating with high energy at high speeds. You must operate the machine safely. Unsafe operation can create a number of hazards for you, as well as anyone else in the nearby area. Always take the following precautions when using this machine:

- Keep in mind that the operator or user is responsible for accidents or hazards occurring to other people, their property, and themselves.
- Always wear protective goggles or safety glasses with side shields while mowing to protect your eyes from possible thrown debris.
- Avoid wearing loose clothing or jewelry, which can catch on the mower's moving parts.
- We recommend wearing gloves while mowing. Be sure your gloves fit properly and do not have loose cuffs or drawstrings.
- Wear shoes with non-slip treads when using your DR TRIMMER/MOWER. If you have safety shoes, we recommend wearing them. Do not use the machine while barefoot or wearing sandals with exposed toes or heels.
- Wear long pants while operating the DR TRIMMER/MOWER.
- Use ear protectors or ear plugs rated for at least 20 dba to protect your hearing.
- Keep bystanders at least 50 feet away from your work area at all times. The tips of the cutting cords on the DR TRIMMER/MOWER can throw sticks, small stones, gravel, and bits of debris over long distances at great velocity. Do not travel over loose materials such as gravel or mulch with the trimmer head spinning. Doing so could cause personal injury or property damage from thrown objects. Release the bail bar to stop the spinning cords and shut off the engine when another person or pet approaches.
- Never tamper with safety devices. Check their proper operation regularly.
- Never operate the machine when under the influence of alcohol, drugs, or medication.
- In an emergency, to quickly stop the cutting cords, remove your hand from the bail bar.

Operating the Mower Safely

WARNING

This is a high-powered machine, with moving parts operating with high energy at high speeds. You must operate the machine safely. Unsafe operation can create a number of hazards for you, as well as anyone else in the nearby area. Always take the following precautions when using this machine:

- Never allow people who are unfamiliar with these instructions to use the DR TRIMMER/MOWER. Allow only responsible individuals who are familiar with these rules of safe operation to use your machine.
- Never place your hands, feet, or any part of your body on or under the mower deck in the path of the spinning cords, belt, pulleys, or near the discharge opening while the engine is running. Keep area of discharge clear of people, animals, buildings, glass, or anything else that will obstruct clear discharge, cause injury, or damage.
- Your DR Trimmer/Mower is a powerful tool, not a plaything. Exercise extreme caution at all times. The design of your machine is for trimming and mowing grass, weeds, and other growth as specified in this manual. Do not use it for any other purpose.
- Whenever you leave the operating position to make adjustments, change cords or if you have to remove grass or debris from the underside of the deck, always shut off the engine and wait five (5) minutes to allow parts to cool. Remove the key, if so equipped, and disconnect the spark plug wire and keep the wire away from the spark plug to prevent accidental starting.
- When operating over uneven terrain and slopes, use extreme caution to ensure solid and firm footing. Keep a firm hold on the handlebar and walk, never run.
- Stop the cutting cords when crossing gravel drives, walks, or roads.
- Never operate your unit on a slippery, wet, or muddy surface. Exercise caution to avoid slipping or falling.
- Always operate the mower from behind the handlebar. Never pass or stand on the discharge side of the machine when the engine is running or cutting cords are spinning.
- Never, under any conditions, remove, bend, cut, fit, weld, or otherwise alter standard parts on the DR TRIMMER/MOWER. This includes all shields and guards. Modifications to your machine could cause personal injuries and property damage and will void your warranty.
- If the cutting cords strike a foreign object or if your machine should start making an unusual noise or vibration, stop the engine and wait five (5) minutes for all moving parts to come to a complete stop and cool. Vibration is generally a warning of trouble. Disconnect the spark plug wire and inspect for damage. Clean and repair and/or replace damaged parts.
- While using the DR TRIMMER/MOWER, do not hurry or take things for granted. When in doubt about the equipment or your surroundings, stop the machine and take the time to look things over. Make sure that you have 100% control of the mower at all times.
- Watch for traffic when mowing near roadways.
- Use the machine only in daylight.
- Be cautious when using your DR TRIMMER/MOWER around fencing, wires, ropes, and hoses. It is possible that these and other debris can become wound around the line plates of the machine, potentially damaging the bearings or injuring you.
- Do not operate the DR TRIMMER/MOWER on slopes greater than 20 degrees.
- Keep all nuts and bolts tight and keep the equipment in good operating condition.

Safety for Children and Pets

WARNING

Tragic accidents can occur if the operator is not alert to the presence of children and pets. Children are often attracted to the machine and the mowing activity. *Never* assume that children will remain where you last saw them. Always follow these precautions:

- Keep children and pets out of the working area and under the watchful care of a responsible adult.
- Be alert and turn the machine off if children or pets enter the work area.
- Never allow children to operate the DR TRIMMER/MOWER.
- Use extra care when approaching blind corners, shrubs, trees, or other objects that may obscure your vision.

Safety with Gasoline - Powered Machines

WARNING

Gasoline is a highly flammable liquid. Gasoline also gives off flammable vapor that can be easily ignited and cause a fire or explosion. Never overlook the hazards of gasoline. Always follow these precautions:

- Never run the engine in an enclosed area or without proper ventilation as the exhaust from the engine contains carbon monoxide, which is an odorless, tasteless, and deadly poisonous gas.
- Store all fuel and oil in containers specifically designed and approved for this purpose and keep away from heat and open flame, and out of the reach of children.
- Replace rubber fuel lines and grommets when worn or damaged and after 5 years of use.
- Fill the gasoline tank outdoors with the engine off and allow the engine to cool completely. Don't handle gasoline if you or anyone nearby is smoking, or if you're near anything that could cause it to ignite or explode. Reinstall the fuel tank Cap and fuel container cap securely.
- If you spill gasoline, do not attempt to start the engine. Move the machine away from the area of the spill and avoid creating any source of ignition until the gas vapors have dissipated. Wipe up any spilled fuel to prevent a fire hazard and properly dispose of the waste.
- Allow the engine to cool completely before storing in any enclosure. Never store a machine that has gas in the tank, or a fuel container, near an open flame or spark such as a water heater, space heater, clothes dryer or furnace.
- Never make adjustments or repairs with the engine running. Shut down the engine, wait 5 minutes, disconnect the spark plug wire, keeping it away from the spark plug to prevent accidental starting before making adjustments or repairs.
- Never tamper with the engine's governor setting. The governor controls the maximum safe operation speed and protects the engine. Over-speeding the engine is dangerous and will cause damage to the engine and to the other moving parts of the machine. If required, see your authorized dealer for engine governor adjustments.
- Keep combustible substances away from the engine when it is hot.
- Never cover the machine while the muffler is still hot.
- Do not operate the engine with the air cleaner or cover over the carburetor air-intake removed, except for adjustment. Removal of such parts could create a fire hazard. Do not use flammable solutions to clean the air filter.
- The muffler and engine become very hot with use and can cause a severe burn; do not touch. Allow the engine to cool before refueling, doing maintenance, or making adjustments.
- Do not mow in the rain. Water on the spark plug may cause the engine to stall.
- Keep combustible substances away from the engine when it is hot.
- Never cover the machine while the muffler is still hot.

A Note to All Users

Under California law, and the laws of some other states, you are not permitted to operate an internal combustion engine using hydrocarbon fuels without an engine spark arrester. This also applies to operation on US Forest Lands. All DR[®] TRIMMER/MOWERS shipped to California, New Mexico and Washington State are provided with spark arresters. Failure of the owner or operator to maintain this equipment in compliance with state regulations is a misdemeanor under California law and may be in violation of other state and/or federal regulations. Contact your State Park Association or the appropriate state organization for specific information in your area.

No list of warnings and cautions can be all-inclusive. If situations occur that are not covered by this manual, the operator must apply common sense and operate this DR TRIMMER/MOWER in a safe manner. Contact us at www.DRpower.com or call 1-800-DR-OWNER (376-9637) for assistance.

Chapter 2: Setting Up The DR TRIMMER/MOWER

It may be helpful to familiarize yourself with the controls and features of your DR TRIMMER/MOWER as shown in **Figure 1** before beginning these procedures. If you have any questions at all, please feel free to contact us at www.DRpower.com.

DR TRIMMER/MOWER Controls and Features

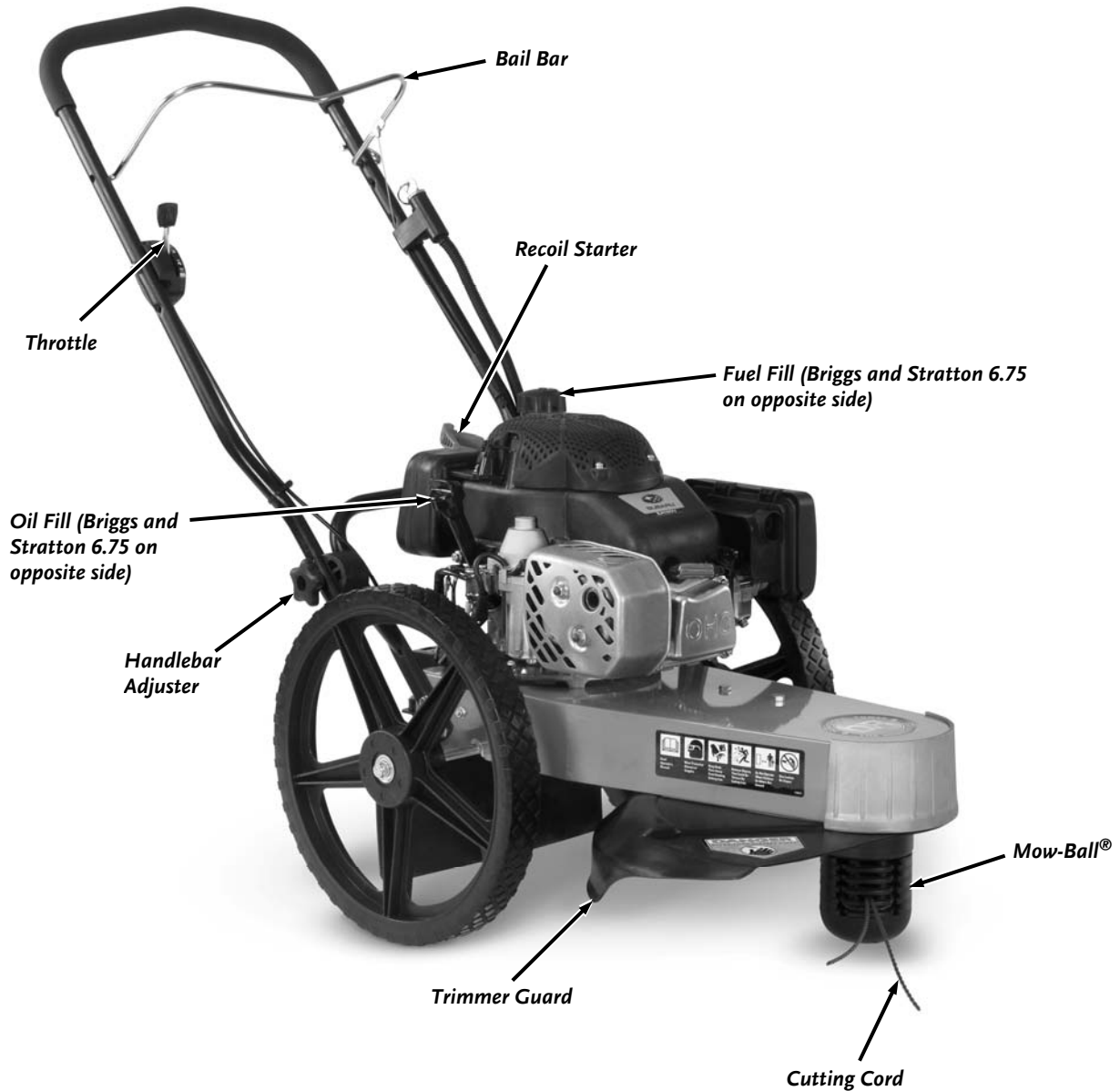


Figure 1

Specifications

	Premier	Premier Plus	Pro	Pro-XL
Engine	Kohler XT6.5 OHV Manual or Electric Start See Engine Owners Manual for details	Briggs and Stratton 675 Quantum Manual or Electric Start See Engine Owners Manual for details	Subaru EA175 OHC Manual or Electric Start See Engine Owners Manual for details	Subaru EA190 OHC Electric Start See Engine Owners Manual for details
Engine Speed	3500 rpm	3500 rpm	3500 rpm	3500 rpm
Cutting Width	22"	22"	22"	22"
Cutting Height	5 Heights, 1.5" to 3.5"	5 Heights, 1.5" to 3.5"	5 Heights, 1.5" to 3.5"	5 Heights, 1.5" to 3.5"
Cutting Speed	3800 RPM	3800 RPM	3800 RPM	3800 RPM
Cord Size	Green .155" Round, Blue .175" Spiral, 25" Long	Green .155" Round, Blue .175" Spiral, 25" Long	Green .155" Round, Blue .175" Spiral, 25" Long	Green .155" Round, Blue .175" Spiral, 25" Long
Wheels	14" x 1.75" Wide, Resin	14" x 1.75" Wide, Resin	16" x 1.75" Wide, Resin	16" x 1.75" Wide, Resin
Frame	14 Gage Steel	14 Gage Steel	14 Gage Steel	14 Gage Steel
Mow-Ball	4" Diameter, Super-Tough Nylon	4" Diameter, Super-Tough Nylon	4" Diameter, Super-Tough Nylon	4" Diameter, Super-Tough Nylon
Drive Belt	V-Belt, 3L, Gates PowerRated 6744, No Substitutions	V-Belt, 3L, Gates PowerRated 6744, No Substitutions	V-Belt, 3L, Gates PowerRated 6744, No Substitutions	V-Belt, 3L, Gates PowerRated 6744, No Substitutions
Machine Dimensions	50.4" L x 21.5" W x 38.3" H	50.4" L x 21.5" W x 39" H	50.4" L x 21.5" W x 39" H	50.4" L x 21.5" W x 39" H
Machine Weight	57 Lbs Manual Start, 65 Lbs Electric Start	55 Lbs Manual Start, 63 Lbs Electric Start	62 Lbs Manual Start, 70 Lbs Electric Start	71 Lbs Electric Start
Accessories	12" Beaver Blade, DR DuraBlade, TreeSafe Guard, and Weather Cover	12" Beaver Blade, DR DuraBlade, TreeSafe Guard, and Weather Cover	12" Beaver Blade, DR DuraBlade, TreeSafe Guard, and Weather Cover	12" Beaver Blade, DR DuraBlade, TreeSafe Guard, and Weather Cover

FOR PROPER SETUP OF YOUR NEW DR TRIMMER/MOWER PERFORM ALL THE FOLLOWING STEPS IN THIS CHAPTER.

Adjusting the DR TRIMMER/MOWER Handlebar

The Handlebar folds down for easy storage and the DR Trimmer/Mower is shipped to you with them folded.

NOTE: Ensure that the teeth of the Handlebar Adjusters mesh correctly as you tighten the Knobs.

1. Loosen both the Adjustment Knobs and move the Handlebar up or down until the Notches on the Adjusters are aligned on both sides. This puts the Handlebar at a comfortable operating position for many people. Move the Handlebar up or down until you are comfortable, and then tighten the Adjustment Knobs securely. Take note of how many teeth you have moved away from the aligned notches to align both sides.

It is important to find a Handlebar height that allows the Mow-Ball® to hover just above the ground and remain balanced so you do not have to push down or pull up on the Handlebar. When in use, proper adjustment is critical to best performance. You may find you like different Handlebar heights for different mowing conditions.

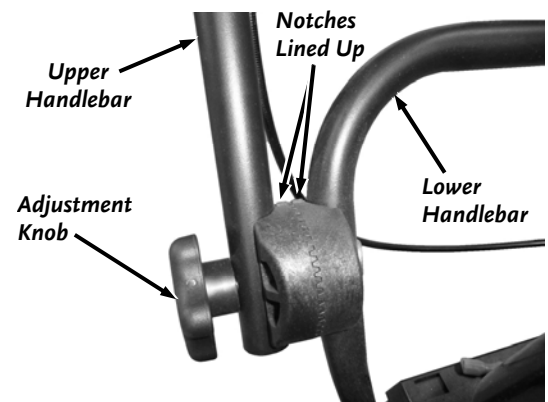


Figure 2

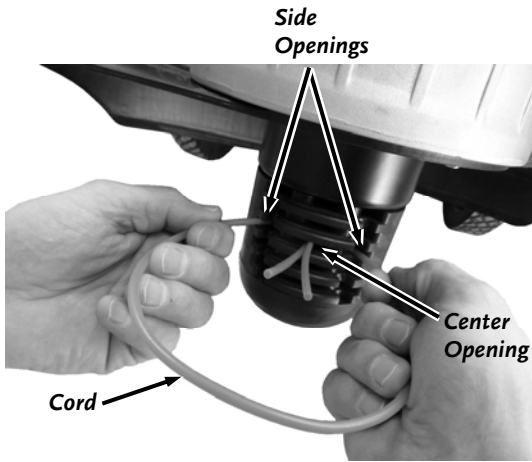


Figure 3

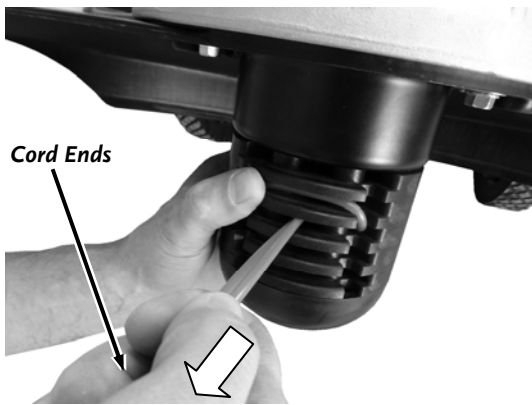


Figure 4

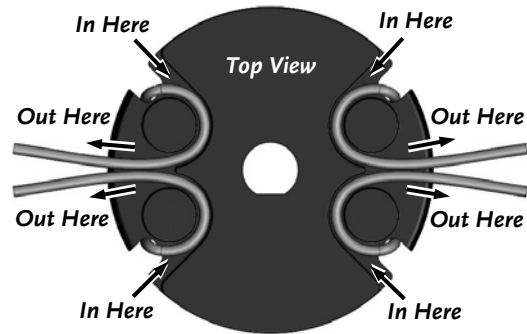


Figure 5

Installing the Cutting Cords

There are two installation points on each Line Plate. Each point is 180 degrees apart. Always install two Cords, one opposite the other at the same height.

1. Insert the ends of the Cords into the side openings in the Line Plate (**Figure 3**).
2. Push the Cord through until the ends come out the center hole in the Line Plate. Adjust the Cords so the tips are even.
3. Pull the Cords under the loop and push the loop up into the Line Plate groove above them (**Figure 4**) and then pull the Cords tight.

NOTICE

If the tips of the cords are not even, it can cause unbalance of the trimmer and will result in increased vibration.

Figure 5 illustrates the Cords installation on the Line Plates. It shows the Line Plate from a top view. It may look complicated, but once you have done it a couple of times, it's easy. There are two installation points on each Line Plate. Each point is 180 degrees apart. Always install two Cords, one opposite the other.

Adding Oil and Gasoline

Note: Refer to the Engine Manufacturers Manual for more detailed Engine information.

Tip: To avoid confusion, we recommend leaving the caps ON the Fuel and Oil Fills until you are ready to pour either gasoline or oil into the correct Fill.

Note: You will need approximately 15 to 22 ounces of SAE 30 high detergent oil depending on Engine type. Use only SAE 30 high detergent oil classified "For Service SF, SG, SH, SJ" or higher. Do not use special additives. Other types of oil could cause problems with the operation of your machine. Please refer to your Engine Owner's Manual for detailed information on oil quantity and cold temperature oil specifications.

NOTICE

- You must add oil **before** starting the engine. This machine is shipped without oil. Traces of oil may be in the reservoir from factory testing, but **you must add oil before starting the engine**. Fill the reservoir slowly, checking the level frequently to avoid overfilling.
- To get an accurate reading when checking the oil level:
 - the machine should be on a level surface.
 - the dipstick should be screwed down to ensure an accurate oil level reading.

Note: Briggs and Stratton 6.75 Fuel and Oil fills are on opposite sides from what is shown in figure 6.

1. Place the machine on a level surface and initially add 1/2 of the SAE 30 High Detergent oil into the Oil Fill (**Figure 6**) and wait one (1) minute for the oil to settle
2. Check the Dipstick and continue adding a few ounces of oil at a time, rechecking the Dipstick until the oil reaches the fill mark. Be careful not to overfill.



Figure 6

WARNING

Fill the fuel tank outdoors or in a well-ventilated area, away from sparks, open flames, pilot lights, heat, and other ignition sources.

Note: Discard the blue Protective-Shipping Cap provided by some Engine Manufacturers. You will find this Protective-Shipping Cap under the Fuel Fill Screw Cap or in the tank Filler Tube. See your Engine Owner's Manual for more fuel information.

3. Fill the Fuel Tank with fresh, unleaded gas (with a minimum of 85 Octane), to not more than 1/4" from the bottom of the Fill Neck to allow for Fuel expansion. Be careful not to overfill and reinstall the Cap before starting the Engine. See your Engine Owner's Manual for more information.

Note: To refill the Fuel Tank, turn the Engine OFF, and let the Engine cool at least two minutes before removing the Fuel Fill Cap.

! WARNING

- The design of your machine is for trimming and mowing grass, weeds, and other growth as specified in this manual. Do not use it for any other purpose as it could cause serious injury.
- Contact with internal rotating parts will cause serious personal injury. Never put hands, face, feet, or clothing under the mower deck or discharge opening at any time.
- Before performing any adjustments to the trimmer cords or any other procedure or inspection, stop the engine, wait five minutes to allow parts to cool. Disconnect the spark plug wire, keeping it away from the spark plug.



Figure 7

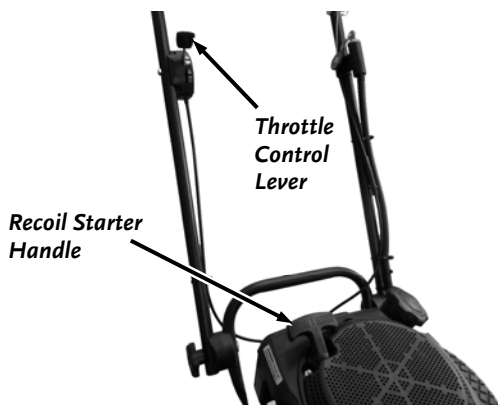


Figure 8

Before Starting the Engine

Note: Briggs and Stratton 6.75 Fuel and Oil fills are on opposite sides from what is shown in figure 7.

1. Check the oil level every time you use the DR TRIMMER/MOWER (**Figure 7**).
2. Check the fuel level.
3. Remove any debris buildup from the top of the Engine and the underside of the machine.

! CAUTION

It is important for proper operation to keep the top of the engine clear of grass and debris at all times so the engine can pull air through to stay cool. If the top of the engine is clogged then the engine could overheat causing engine damage.

Note: See the Engine Manual for more detailed and specific information on operating the Engine.

Manual Starting

Note: You may use these starting methods with both Manual and Electric-Starting models.

1. Push the Throttle Control Lever on the right side of the Handlebar (**Figure 8**) all the way forward (Rabbit or Choke position depending upon model).
2. For Briggs and Stratton 675 Engines only, push the Primer Bulb in and completely release it, lifting your finger and letting it pop back to its original position. Repeat three to four times.

Note: "Priming" or "Choking" the Engine is usually not necessary when restarting a warm Engine. In cool weather, you may need to repeat the priming operation.

3. Grasp the Recoil Starter Handle and slowly pull until you feel resistance. Let the cord retract a little bit and then pull the cord rapidly to start the Engine. One or two pulls usually starts the DR TRIMMER/MOWER.

Note: Do not engage the Bail Bar (Trimmer Head Control) until after the Engine has started.

4. Once the Engine is started, move the Throttle Lever to the RUN or IDLE position.

Note: Kohler and Subaru Engines have a throttle detent in the RUN position.

Electric Starting

Note: Use the following steps with Electric-Starting models only.

1. Push the Throttle Control Lever on the right side of the Handlebar (**Figure 8**) all the way forward (Rabbit or Choke position depending upon model).
2. For Briggs and Stratton 675 Engines only, push the Primer Bulb in and completely release it, lifting your finger and letting it pop back to its original position. Repeat three to four times.

Note: “Priming” or “Choking” the Engine is usually not necessary when restarting a warm Engine. In cool weather, you may need to repeat the priming operation.

3. Turn the Key (**Figure 9**) to the START position until the Engine starts, then release. The Key will snap back to the RUN position and the Engine will continue to run.

Note: Do not engage the Bail Bar (Trimmer Head Control) until after the Engine has started.

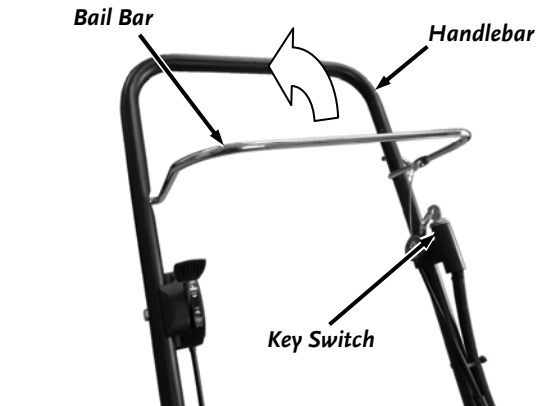


Figure 9

NOTICE

If the engine fails to start after TEN (10) seconds of continuous cranking, turn the key to the off position and allow the starter motor to cool. Check the cause of hard starting; See Chapter 5 - Troubleshooting.

4. Once the Engine is started, move the Throttle Lever to the RUN or IDLE position.

Note: Kohler and Subaru Engines have a throttle detent in the RUN position.

Stopping the Engine

1. Move the Throttle Control Lever (Figure 8 on page 10) all the way back past the TURTLE (Slow) position to the STOP position.

Note: If you have an Electric-Starting model, please note that the Key does not stop the Engine. You must follow these instructions to stop the Engine for both Electric and Manual-Starting models.

2. Remove the Key for safety. The Key has a pressure lock that prevents it from vibrating loose during operation. To remove the Key, push it in and then quickly and firmly pull it out. If the Key becomes difficult to remove, apply SAE 30 Oil into the Keyhole.

Engaging the Trimmer Head

1. Bring the Bail Bar toward you and grip it together with the Handlebar (**Figure 9**). Keep holding the Bail Bar to the Handlebar. The Cutting Cords will rotate and will continue to rotate until you release the Bail Bar.

Note: Before using your Trimmer for the first time or after you have installed a new Belt, engage the Bail Bar 10 times and hold it for 3 seconds each time. This is required to wear in the Belt to ensure the best grip for trimming.

Stopping the Cords from Spinning

1. Release the Bail Bar from the Handlebar. The Trimmer Head will stop spinning while the Engine continues to run.

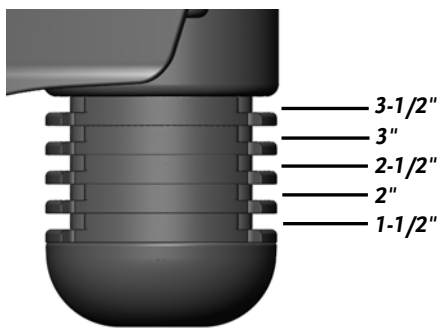


Figure 10

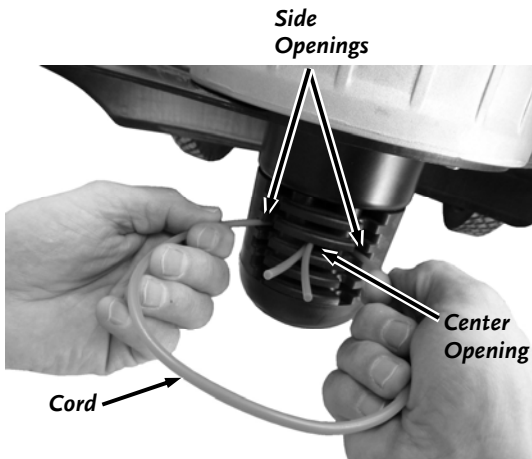


Figure 11

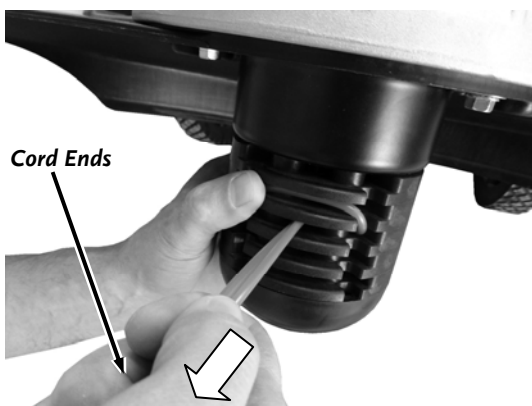


Figure 12

Setting the Cutting Height

Setting the Cutting Height is easy. Cutting heights range in 1/2-inch increments from 1-1/2 inches (minimum) when using the bottom Line Plate, to approximately 3-1/2 inches when using the top Line Plate (**Figure 10**).

Install the Cutting Cords in the Line Plate that gives you the desired cutting height.

! WARNING

Before performing any adjustment, maintenance procedure or inspection, stop the engine, wait five (5) minutes to allow parts to cool and disconnect the spark plug wire, keeping it away from the spark plug.

NOTICE

Running the trimmer with only one cord installed, cords of unequal length or cords installed at other than 180 degrees apart can cause excessive vibration and may damage the machine.

Installing the Cutting Cords

For more detailed information refer to “Installing The Cutting Cords” section in Chapter 2.

NOTE: After you install the Cords, and before trimming, engage the Cutting Head with the Engine running to spin the new Cords for a few seconds so they pull tight and are set.

1. Insert the ends of the Cord into the side openings in the Line Plate (**Figure 11**).
2. Push the Cord through until the ends come out the center opening in the Line Plate. Adjust the ends so the tips are even.
3. Pull the ends of the Cord under the loop and push the loop up into the Line Plate groove above them (**Figure 12**) and then pull the ends tight.

Cord Tips

We ship two (2) thicknesses of Cutting Cord with your DR TRIMMER/MOWER.

The Cords are Blue (175-mil) and Green (155-mil). Because conditions and vegetation vary so much, you should experiment with Cord weights (diameters) to discover what works best for your particular mowing and trimming situations. Here are a few things to keep in mind:

- If you buy Cutting Cord in rolls, cut it in 25" lengths.
- Cord life depends on trimming conditions. Replace Cords when they become broken or frayed.
- The smallest diameter Cord capable of cutting the material at hand combined with the fastest Engine speed usually provides the best grass trimming performance. When you need more power for thicker growth such as berry canes, brambles, thistles, or ragweed, you may want to use the 175-mil Cord in combination with the highest Engine speed.
- Ease the ends of the Cord into heavy growth and move slowly through thick growth. If there are woody weeds in the material you are cutting, the cutting Cords may wrap around the stalks they cannot cut, and pull away from the Trimmer Head.
- Please note that installing more than two (2) Cords at a time does not improve trimming performance, in fact, it can lessen it. Adding additional Cords creates drag on the Trimmer Head, robs the Engine of power, and may cause wrapping. Installing two (2) Cords, 180 degrees apart, on the same line plate, is the best method for optimal trimming performance.
- When replacing Cords, do it one at a time and use the old Cord to mark the position for the new Cord that you are replacing.
- If the Cord breaks off flush at the Line Plate, use needle nose pliers to pull out the old Cord.
- Storing the Cord in a plastic bag with a damp sponge or cloth will help keep it pliable. You can also soak your Cutting Cord in a bucket of room temperature water for a few days before use to make it more pliable.
- UV light can degrade cord, store out of direct sunlight.

The Mow-Ball®

Allow the front end of the machine to rest lightly on the Mow-Ball® as you are trimming. The Mow-Ball® should glide on the ground as you maneuver the machine. To achieve the best and smoothest cut, do not lift up on the Handlebar while operating your DR TRIMMER/MOWER. Lifting the Handlebar will force weight down on the Mow-Ball®. This uses more energy, slows the cutting, and produces an unsatisfactory cut. Ideally, the Mow-Ball® should lightly rest on the ground while the Wheels balance most of the weight of the machine (**Figure 13**).



Figure 13

Obstacle Tips

Dealing with obstacles in the terrain is easy with your new DR TRIMMER/MOWER. The following section explains how to approach most common obstacles.

WARNING

The trimmer engine's power can easily throw stones, sticks, and other debris at great velocity, which could cause personal injury or property damage. Do not run the machine over gravel driveways or over loose stones or mulch with the trimmer head spinning.



Figure 14

Tip: The DR TRIMMER/MOWER discharges cut material to the right. Always try to cut and trim with the uncut tall grass or weeds on the left.

- Always check your work area before trimming and remove any debris that might tangle or damage the machine.
- If you do run into debris and the Trimmer becomes tangled, turn off the Engine and disconnect the Spark Plug wire before attempting to untangle the machine.
- For the neatest appearance, do your trimming first, discharging clippings away from borders and shrubs, then do your mowing.
- Many owners like to mow easy, open areas with their regular riding or walk-behind mower and finish trimming all the odd and hard-to-reach spots with the DR TRIMMER/MOWER (**Figure 14**).

Heavy Growth



Figure 15

- Take your time in heavy growth.
- Be sure to keep uncut material to your left, maintaining a clear discharge area to your right (**Figure 15**).
- If the machine cannot do it all in one pass, overlap half of the cutting swath.
- If the grass is very thick and heavy, try raising the Trimmer Head off the ground a few inches by pushing down on the Handlebar. Cut the material at this height, and then make a second pass with the Mow-Ball® close to the ground.
- Ease the DR TRIMMER/MOWER into denser growth. If the material is too tough or woody to cut, the Cutting Cords will wrap around it, wear down, or even break off.
- Sometimes the growth is so heavy, you cannot mow it in rows. Use a forward and back “vacuum cleaner” motion in these cases.

Tip: Use the “two pass”, one half overlap method, whenever possible.

Wet Conditions

CAUTION

Make sure of your footing when operating in wet conditions.

Because there is no housing to restrict the flow of cut material, you can also use your DR TRIMMER/MOWER to mow wet or heavy growth. You can use the DR in damp conditions, after a rain, or in the early morning dew without clogging or stalling. You can also mow wet areas such as ditches and around ponds (**Figure 16**).

Note: NEVER mow in the rain. Water on the Spark Plug may cause the Engine to stall.



Figure 16

Very Dry Conditions

NOTICE

Frequently remove debris from the recoil guard on top of the engine and the cooling fins on the front of the engine to prevent overheating and engine damage.

When trimming and mowing in very dry conditions, be extra cautious of cut grass, chaff, weeds, seeds, etc., accumulating on the Engine, especially around the Recoil-Starter Housing and Engine Cooling Fins. Please see the Engine Owner's Manual for more detailed information on cleaning the Air Intake, Air Filter, and Cooling System on the Engine.

Slopes

CAUTION

Make sure of your footing when operating on slopes.

You can trim and mow on slopes up to 20 degrees. Continuous use on slopes steeper than 20 degrees may deprive the Engine of adequate lubrication, and damage components.

Windrows

The DR TRIMMER/MOWER Cutting Cords cut even tall grass in just one pass, so you can collect clippings and leaves for mulch without raking. The machine ejects cut material to its right side, so you can use it like a lawn broom to make windrows for easy clean-up.

Firebreaks

Use your Trimmer as a labor saving tool to cut material when creating firebreaks.

Garden Clean-Up

The DR TRIMMER/MOWER is perfect for cutting down dead perennials, annuals, and wildflowers, saving you hours of hand pruning and deadheading. You can also re-cut downed material a second time to create mulch for garden beds.

Chapter 4: Maintaining The DR TRIMMER/MOWER

Regular maintenance is the way to ensure the best performance and long life of your machine. Please refer to this manual and the engine manufacturer's owner's manual for maintenance procedures. Service intervals listed in the checklist below supersede those listed in the engine manufacturer's owner's manual.

⚠ WARNING

Before performing any maintenance procedure or inspection, stop the engine, wait five (5) minutes to allow all parts to cool. Disconnect the spark plug wire, keeping it away from the spark plug.

Regular Maintenance Checklist

NOTE: Consider that the service intervals shown are the maximum under normal operating conditions. Increase frequencies under extremely dirty or dusty conditions.

PROCEDURE	BEFORE EACH USE	EVERY 25 HOURS	EVERY 100 HOURS
Check Engine Oil Level.	▲		
Clean Engine Exterior, Cooling Fins and remove collected grass trimmings.*	▲		
Check General Equipment Condition, e.g. Nuts, Bolts, Welds, etc.	▲		
Replace broken or frayed Cutting Cords.	▲		
Check the Mow-Ball® Line Plates for excessive wear.	▲		
Check the Belt for stretching. Adjust the Drive Cable if necessary per "Adjusting the Belt Tension through the Trimmer Control Cable" in this Chapter.	1 st time 2 hours	▲	
Lubricate Throttle Cable and Trimmer Control Cable with SAE 30 Oil.		▲	
Change the Engine Oil	1 st time 5 hours	▲	
Replace the Engine Air Filter Cartridge and foam Pre Filter if equipped.		▲	
Replace the Spark Plug.			▲

* Cleaning the top of the Engine during use is critical for proper air flow. Keeping the Engine clear of debris is necessary for optimum performance.

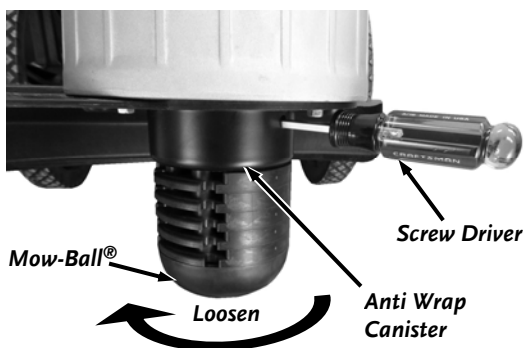


Figure 17

Replacing the Mow-Ball® or Line Plates

CUTTING HEAD DISASSEMBLY

Tools and Supplies Needed:

- Phillips head Screwdriver with at least a 6" shank
- Gloves

1. Align the hole in the Anti Wrap Canister with the hole in the internal housing at the location shown (**Figure 17**).
2. Insert a Philips Head Screwdriver into the hole in the Anti Wrap Canister and the hole in the internal Housing.
3. Rotate the Mow-Ball® Assembly until the Screw Driver slides into a hole in the shaft, locking it into place.

4. Looking down at the top of the Frame, turn the Mow-Ball® clockwise until it unscrews completely from the Bearing Housing.

NOTE: If the Mow-Ball® continues to turn, but does not come off, check to be sure that you locked the Screwdriver into the shaft.

If the Mow-Ball will not turn by hand a 9/16" Socket can be used on the Bolt (inside the bottom of the Mow-Ball) to loosen it. You may need to clean grass or debris out of the recess first.

5. Slide the Line Plates off the Shaft.

CUTTING HEAD REASSEMBLY

NOTICE

Improper installation can cause damage to the trimmer bearings. Follow these directions carefully to protect your machine from damage. Reassemble the components in the order shown in *figure 18*.

1. Place the Spacer and Anti Wrap Canister (with the lip facing up) onto the Shaft (*Figure 18*).
2. Align the flats at the center of the Plates with the flat on the shaft and slide the Line Plates onto the Shaft. Ensure they are facing top side up as shown.
3. Place the head of the Mow-Ball® Bolt so it is sitting in the hex cavity at the bottom of the Mow-Ball®.
4. Looking down at the top of the Frame, hold the Bolt Head in place with your finger and turn the Mow-Ball® counterclockwise to start the Bolt into the Shaft.
5. Insert the Screwdriver as shown in *Figure 17* on page 14 and tighten the assembly securely by turning the Mow-Ball® counterclockwise when looking down on the top of the Frame.

NOTE: When finished there should be no gaps between any of the components.

⚠ WARNING

Always make sure you remove the screwdriver from the head assembly when finished. Failure to remove the screwdriver could cause injury when the head assembly is engaged.

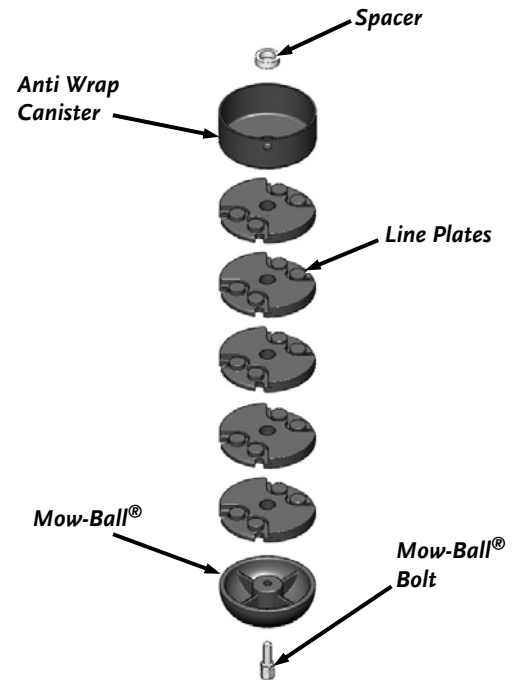


Figure 18

Replacing the Belt

NOTICE

Use only DR belts on your machine. Do not use hardware store variety belts.

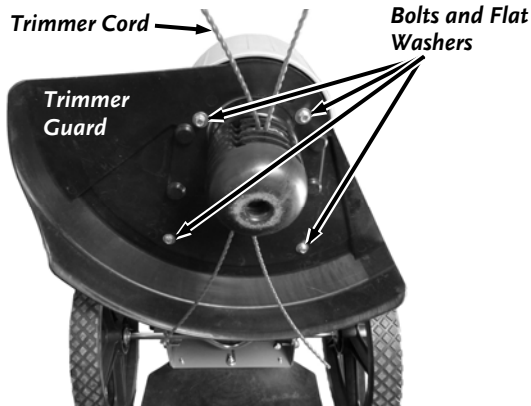


Figure 19

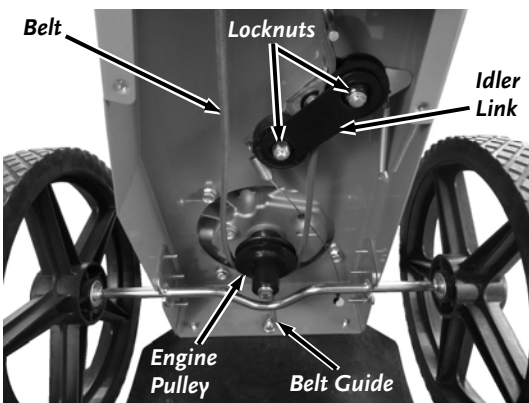


Figure 20

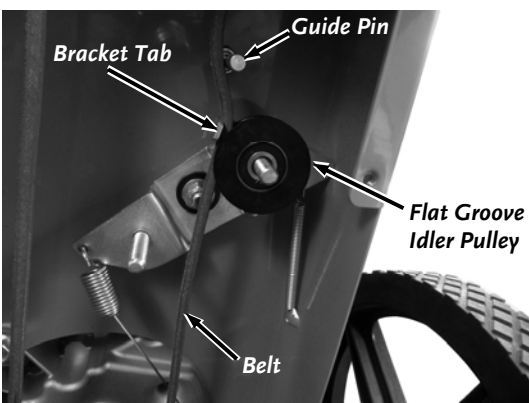


Figure 21

Tools and Parts needed:

- 3/8" Wrench
- 7/16" Wrench
- 9/16" Wrench

Note: Do not tip the machine too far back for the following procedures.

1. Tip the machine back just far enough to access the underside and support the handlebars.
2. Remove the Trimmer Cords from the Head Assembly.
3. Remove the four Trimmer Guard Bolts and Flat Washers with a 3/8" Wrench. Remove the Trimmer Guard (**Figure 19**).
4. Loosen the Belt Guide Locknut using a 7/16" Wrench (**Figure 20**) and rotate the Guide out of the way.
5. Remove the two Locknuts from the Idler Link using a 9/16" Wrench so the Idler Link, Idler Pulleys and Spacers can be removed from the machine.
6. Remove the Belt from around the Engine and Head Assembly Pulleys.
7. Install a new DR Drive Belt around the Engine and Head Assembly Pulleys.
8. Install the small Spacer and flat Idler Pulley (**Figure 21**). Make sure you place the Belt correctly between the Idler Pulley, Bracket Tab, and Guide Pin.
9. Install the small Spacer and V-Groove Idler Pulley. Position the Idler Link over the Idlers and secure with the two Locknuts using a 9/16" Wrench (**Figure 20**).
10. Rotate the Belt Guide into position and tighten the Locknut with a 7/16" Wrench.
11. Position the Trimmer Guard and secure with the four Bolts and Flat Washers using the 3/8" Wrench.
12. Install the Trimmer Cord and tip the Trimmer down on the Head Assembly.
13. After installing the new Belt, be sure to adjust the tension properly by adjusting the In-Line Adjuster all the way in (refer to page 20). Proper tension will extend the life of the Belt.

Note: Before using your Trimmer for the first time or after you have installed a new Belt, engage the Bail Bar 10 times and hold it for 3 seconds each time. This is required to wear in the Belt to ensure the best grip for trimming.

Replacing the Wheels

Tool needed:

- 5/8" Wrench
1. Block and stabilize the machine so that the Wheels are off the ground.
 2. Loosen and remove the Locknut (**Figure 22**).
 3. Slide the Wheel off the Axle.
 4. Reverse the steps to install the new Wheel.

Changing The Engine Oil

Tools and Supplies needed:

- SAE 30 HD Oil (refer to your Engine Owner's Manual for quantity required)
- Suitable container for used oil
- Rags
- Wooden pallet or workbench

NOTE: Drain the oil when the Engine is warm. Warm oil drains quickly and completely.

1. For convenience, place the machine up on a wooden pallet or workbench.
2. Remove the Oil Cap/Dipstick and position a suitable oil receptacle beside the Oil Fill Tube.

Note: The Subaru Pro-XL engine has an oil drain fitting you can use instead of the oil filler tube.

3. Make sure to securely tighten the Gas Fill Cap.
4. Using the handle of the DR TRIMMER/MOWER, tip the machine to drain the oil out through the Oil Filler Tube into a suitable receptacle (**Figure 23**).
5. Refill the Engine using SAE 30 HD oil to the level indicated on the Dipstick.

NOTE: Be sure to use environmentally safe disposal procedures in the disposing of the used oil.

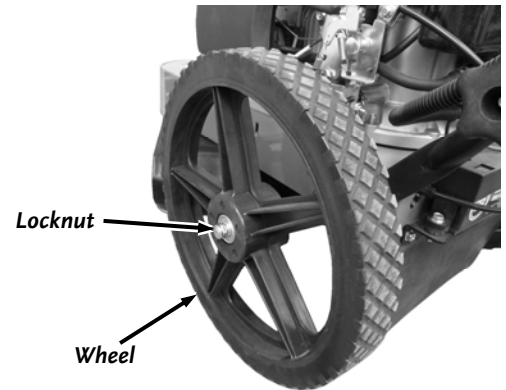


Figure 22

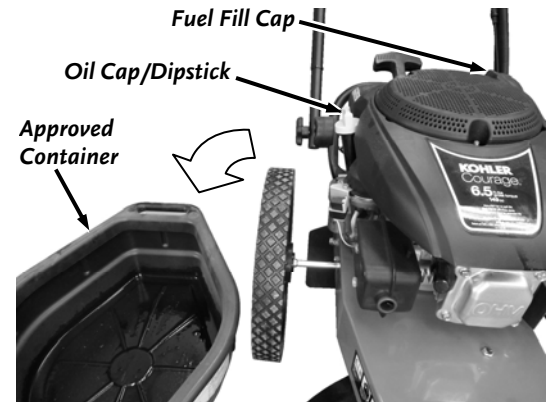


Figure 23

Adjusting the Belt Tension through the Trimmer Control Cable

NOTICE

Before adjusting the trimmer head belt tension cable, check that the belt is properly installed (see Figure 21 on page 16). Also make sure the Cable is attached to the bail bar.



Figure 24

The Belt will stretch a little when new, then more over time. If the Trimmer Head does not spin with the Bail Bar engaged, adjust the Trimmer Control Cable to put more tension on it. The Adjuster is located on the Control Cable itself.

1. Locate the Trimmer Head Cable along the left Handlebar. There is an In-Line Adjuster to change the tension on the Cable (**Figure 24**).
2. You can take the slack out of the cable by holding the Hex Flat Sections of the In-Line Adjuster and rotating the body of the In-Line Adjuster in the counterclockwise direction as you look down on the cable. If the Cable is too tight, you can loosen the Cable by twisting the adjuster in the opposite direction.
3. If the In-Line Adjuster Cable is adjusted all the way out and more adjustment is needed then the Belt needs to be replaced.

Battery Care (Electric-Start Models)

Proper care can extend the life of a battery. Follow these recommendations to ensure best performance and long life:

- Before charging the Battery, observe its external appearance and keep it clean and dry. Never charge or use a Battery that shows cracks, changes shape, leaks, or is otherwise obviously damaged.
- **Do not allow the Battery to run down completely before charging. Leaving the Battery discharged damages the Battery.** If the machine is not used, charge the Battery every 4 to 6 weeks. Operate the Engine for at least 45 minutes to maintain proper Battery charge.
- Store an unused Battery in a dry environment with temperatures between +40°F (5°C) and +95°F (+35°C). Make sure the storage temperatures will never be outside of these limits. The lower the storage temperature is within the specified temperature, the better as the battery will discharge more slowly at lower temperatures.
- Do not charge an already charged Battery. In theory, you cannot overcharge our Battery with a trickle charger; however, when a Battery is fully charged and the charger is still on, it generates heat that could be harmful to the Battery. A fully charged Battery will read 12V-13.2V with a voltmeter.
- Do not continue to crank the Engine when the Battery charge is low.
- If the Battery begins to leak, avoid contact with the leaking acid. Place the damaged Battery in a plastic bag, then dispose of it properly.

WARNING

If battery acid does contact your skin or eyes, flush with cool water for at least 15 minutes and call a physician. If you ingest acid, call a physician immediately.

Charging the Battery

Operate the Trimmer Engine for at least 45 minutes to maintain proper Battery charge. If the Battery loses its charge, you will need to use a trickle Charger (like the DR Battery Charger) to recharge it. The Charger should have an output of 12 volts at no more than 2 amps.

- At 1 amp, the Battery may need charging for as long as 48 hours.
- At 2 amps, the Battery may need charging for as long as 24 hours.

NOTE: Using the recoil starter and then running the Engine will not recharge a dead or significantly discharged Battery.

To connect a Battery Charger to your DR TRIMMER/MOWER, follow the steps listed below.

4. Detach the two Battery wires going to the Battery on your DR TRIMMER/ MOWER.
 5. Attach the Black (-) alligator clipped wire from the Charger Adapter to the Negative (-) terminal of the Battery, then attach the Red (+) alligator clipped wire to the Positive (+) Battery terminal.
 6. Plug the Charger into a standard wall outlet.
- Typically, the Battery takes between 6 and 8 hours to fully charge. Do not leave the charger on the battery longer than 24 hours for a 2 amp charger, or 48 hours for a 1 amp charger as you could potentially damage the battery..
 - You can charge the Battery many times. The Battery lasts longer if you charge it before it is fully drained. Keep it fully charged and at room temperature when not using your DR TRIMMER/MOWER.
 - If the Battery does not hold its charge for very long under normal conditions or it simply won't hold a charge, then replace it. You can purchase replacement Batteries directly from us.

NOTICE

When you are finished charging the battery, disconnect the charger from the outlet first, then disconnect the battery charger wires from the battery. If you leave the battery charger wires connected to the battery, the battery will discharge itself back into the charger.

Disposing of the Battery Responsibly

The Battery is a sealed lead-acid Battery. Recycle or dispose of it in an environmentally sound way.

- Do not dispose of a lead-acid Battery in a fire; the Battery may explode or leak.
- Do not dispose of a lead-acid Battery in your regular, household trash. Law in most areas prohibits incinerating, disposing in a landfill, or mixing a sealed lead-acid Battery with household trash.

Recycling a Used Battery

NOTICE

Please dispose of used batteries responsibly, according to your local hazardous materials regulations. Never throw away used batteries in your household trash.

Please dispose of your used Batteries responsibly by recycling them. Call your local Solid Waste Management District or your local waste handler to locate the collection site nearest you. Some collection sites recycle Batteries year-round; others collect them periodically.

You can also visit the Web site of Earth 911 for more information [www.earth911.com]. Once there, click the “Find a Recycling Center” button and type “Waste Lead-acid Batteries - Non-automotive” in the “search for” box, and enter your zip code in the “Near” box. The site will show a list of recycling centers located near you.

For a fee, you can recycle your Batteries with the International Metals Reclamation Company. Visit them at www.inmetco.com and click “Services” and then “Battery Recycling”; or contact them at One INMETCO Drive Ellwood City, PA 16117; Office (724) 758-2800; Fax (724) 758-2845; sales@inmetco.com

To learn more about hazardous waste recycling, visit the Web site for Battery Council International [www.batterycouncil.org] or for the Environmental Protection Agency [www.epa.gov].

Chapter 5: Troubleshooting

Most problems are easy to fix. Consult the Troubleshooting Table below for common problems and their solutions. If you continue to experience problems, contact us at www.DRpower.com or call toll-free 1-800-DR-OWNER (376-9637) for support.

WARNING

Before performing any maintenance procedure or inspection, stop the engine, wait five (5) minutes to allow all parts to cool. Disconnect the spark plug wire, keeping it away from the spark plug.

Troubleshooting Table

SYMPTOM	POSSIBLE CAUSE
<i>Recoil will not pull out or is difficult to pull.</i>	<ul style="list-style-type: none"> ⇒ Check the Engine oil level, the Engine may be seized. ⇒ There may be an oil compression lock in the Cylinder. Take out the Spark Plug; hold a rag over the Spark Plug hole and pull the Recoil Cord several times to blow out any oil in the Cylinder. Wipe off the Spark Plug and reinstall it. ⇒ The Recoil may be broken or jammed. Try to turn the Engine pulley by hand, with the Spark Plug wire off. If it turns, the Recoil is broken or jammed. Visit our web site at www.DRPower.com or call 1-800-DR-OWNER (376-9637) for assistance.
<p><i>The Engine will not start manually.</i></p> <p><i>(Please refer to the Engine Owner's Manual for Engine-specific procedures.)</i></p>	<ul style="list-style-type: none"> ⇒ Check that the Throttle is in the most forward position (or RUN position when the engine is warm). Check the Throttle Cable and make sure that it is attached to the Engine and is moving freely. ⇒ Check for proper attachment of the Spark Plug wire. ⇒ Check that the Engine has the right amount of clean oil. If the oil is dirty, change it following the procedure on page 19. ⇒ You should be using fresh, clean, unleaded gas. If the gas is old, change it. Use a fuel stabilizer if you keep gas longer than one month. ⇒ Check the Fuel Filter (if equipped) to see if it is clear. Place a can under the Fuel Filter and remove the Fuel Line from the Engine side of the Filter. If gas flows freely, it is OK. ⇒ Check that the Air Filter is clean. If it is dirty, change it following the procedure in the Engine Owner's Manual. ⇒ Make sure that the Spark Plug is clean. If the Spark Plug is dirty or cracked, change it. If it's oily, leave it out, hold a rag over the Spark Plug hole and pull the Recoil Cord several times to blow out any oil in the Cylinder, then wipe off the Spark Plug and reinsert it. ⇒ If the Engine still will not start, visit our web site at www.DRPower.com or call 1-800-DR-OWNER (376-9637) for assistance.
<i>Engine smokes.</i>	<ul style="list-style-type: none"> ⇒ Check the oil level and adjust as needed. ⇒ You may be operating the machine on too great an incline. (See Slopes on page 15) ⇒ Check the Air Filter and clean or replace if needed. ⇒ You may be using the wrong oil - too light for the temperature. Refer to your Engine Owner's Manual for detailed information. ⇒ Clean the Engine cooling fins and the carburetor housing if they are dirty. ⇒ If the Engine still smokes, visit our web site at www.DRPower.com or call 1-800-DR-OWNER (376-9637) for assistance.

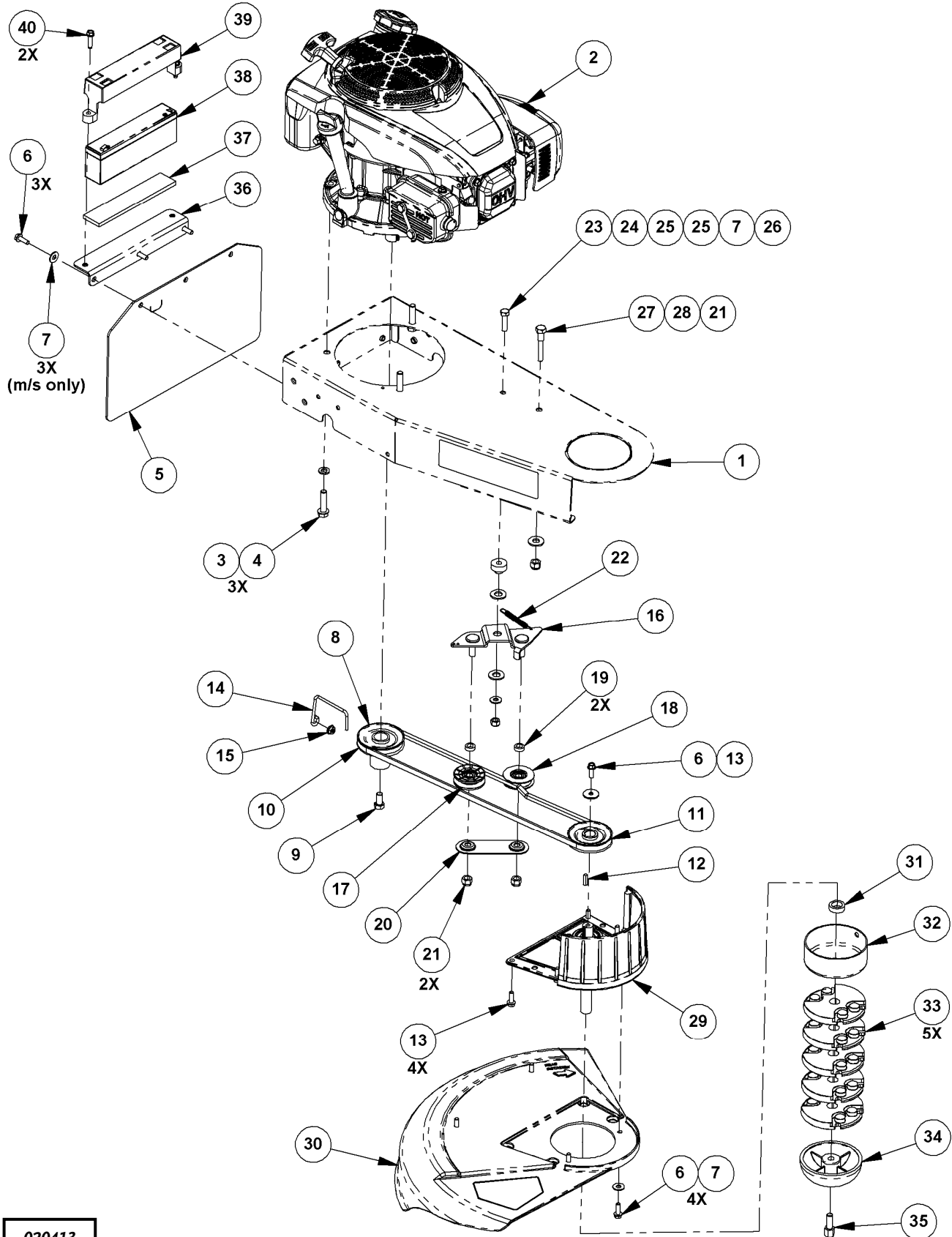
Troubleshooting Table (Continued)

SYMPTOM	POSSIBLE CAUSE
<p><i>The Engine won't start using Electric-Start.</i></p> <p><i>(Please refer to the Engine Owner's manual for Engine-specific procedures.)</i></p>	<ul style="list-style-type: none"> ⇒ Check all of the items under the section called Electric Starting on page 11 and the previous section on Manual Starting. ⇒ Check the wire connections - especially the ground connection, the large black wire coming from the Battery, where it connects to the Engine. ⇒ Make sure the Battery is charged. Check the voltage yourself or at a service station. If it is low, charge it with a 12-volt, 1 to 2 Amp trickle charger. If you do not use your machine for at least 45 minutes at a time, the Battery may need to be periodically charged. See the Battery Care section on page 21. ⇒ If your Battery is charged and your DR TRIMMER/MOWER still won't start, visit our web site at www.DRPower.com or call 1-800-DR-OWNER (376-9637) for assistance.
<p><i>The Engine lacks power or is not running smoothly.</i></p> <p><i>(Please refer to the Engine Owner's Manual for Engine-specific procedures.)</i></p>	<ul style="list-style-type: none"> ⇒ Check the Throttle travel. The Throttle Lever should be in the most forward position (or RUN position when the engine is warm). ⇒ Check for debris (hay seed, etc.) clogging the Air Filter Intake and clean out as required. ⇒ The Engine's Blower Housing, Throttle Linkage, and Cooling Fins should be free of debris. Clean them following the instructions in the Engine Owner's Manual. ⇒ Check that the Air Filter is clean. If it is dirty, change it following the procedure in the Engine Owner's Manual. ⇒ Remove the Spark Plug wire and dry the connection with a rag. ⇒ The Spark Plug may be dirty or cracked, change it. If it's oily, leave it out, hold a rag over the Spark Plug hole and pull the Recoil Cord several times to blow out any oil in the Cylinder, then wipe off the Spark Plug and reinsert it. ⇒ You should be using fresh, clean, unleaded gas. If it is old, change it. Use a fuel stabilizer if you keep gas longer than one month. ⇒ Check that the Engine has the right amount of clean oil. If it is dirty, change it following the procedure on page 19. ⇒ If your Engine still lacks power, visit our web site at www.DRPower.com or call 1-800-DR-OWNER (376-9637) for assistance.
<p><i>The Trimmer Head won't spin or lacks power.</i></p>	<ul style="list-style-type: none"> ⇒ Check for proper alignment of the V-Belt. Check it against Figure 20 in the "Replacing the Belt" section on page 18. ⇒ The Belt may be worn or frayed; if so, replace it. ⇒ If the Trimmer Head still will not spin, follow the procedure for "Adjusting the Belt Tension through the Trimmer Control Cable" on page 20. ⇒ If none of the above helps, visit our web site at www.DRPower.com or call 1-800-DR-OWNER (376-9637) for assistance.
<p><i>The Trimmer Head keeps spinning or spins when you release the Bail Bar.</i></p>	<ul style="list-style-type: none"> ⇒ Check for proper alignment of the V-Belt. Check it against Figure 20 in the "Replacing the Belt" section on page 18. ⇒ If the Trimmer Head keeps spinning when you release the Bail Bar, see "Adjusting the Belt Tension through the Trimmer Control Cable" on page 20. ⇒ If none of the above helps, visit our web site at www.DRPower.com or call 1-800-DR-OWNER (376-9637) for assistance.

Troubleshooting Table (Continued)

SYMPTOM	POSSIBLE CAUSE
<i>The cutting Cords are breaking.</i>	<ul style="list-style-type: none"> ⇒ The Cords may be too dry. Store Cords in a plastic bag with a damp sponge or cloth to make them less prone to breaking or soak them in a bucket of water for a few days. ⇒ You may be trying to do too much too fast. Ease into the material you are cutting; let the Cord tips do the work. Take small bites of tall or tough vegetation. Cut half a swath at a time, keeping the cut area to the discharge or right side of the Trimmer. Go over tall material twice, the first time with the Trimmer Head tilted up and back; the second time with the Mow-Ball® on the ground. ⇒ Make sure that you are not hitting the Cords against a stone or a chain-link fence. The Cords won't last as long against obstacles as in the open. Work on controlling the cutting pattern. With practice, you'll learn to cut closer to obstacles without hitting them. ⇒ If none of the above helps, visit our web site at www.DRPower.com or call 1-800-DR-OWNER (376-9637) for assistance.
<i>The cutting Cords are pulling out.</i>	<ul style="list-style-type: none"> ⇒ You may be moving too fast into tough, woody growth. In doing so, the Cords may wrap on stalks and pull out. Check the operating tips in the section above on breaking Cords. ⇒ Make sure that you are not trying to cut material too heavy for the Cord. The design of your Trimmer is to cut green material up to about the thickness of a pencil. ⇒ If none of the above helps, visit our web site at www.DRPower.com or call 1-800-DR-OWNER (376-9637) for assistance.
<i>The Mow-Ball® is wearing too quickly.</i>	<ul style="list-style-type: none"> ⇒ You may be pushing the Trimmer Head down into the ground. The DR TRIMMER/MOWER works best with a light touch, with the Mow-Ball® resting easily on the ground. ⇒ You may be hitting the Mow-Ball® against rocks, concrete driveways or other hard obstacles. Try approaching them slowly, and from different directions, to avoid unnecessary wear. ⇒ If none of the above helps, visit our web site at www.DRPower.com or call 1-800-DR-OWNER (376-9637) for assistance.

Schematic – Main Frame Assembly



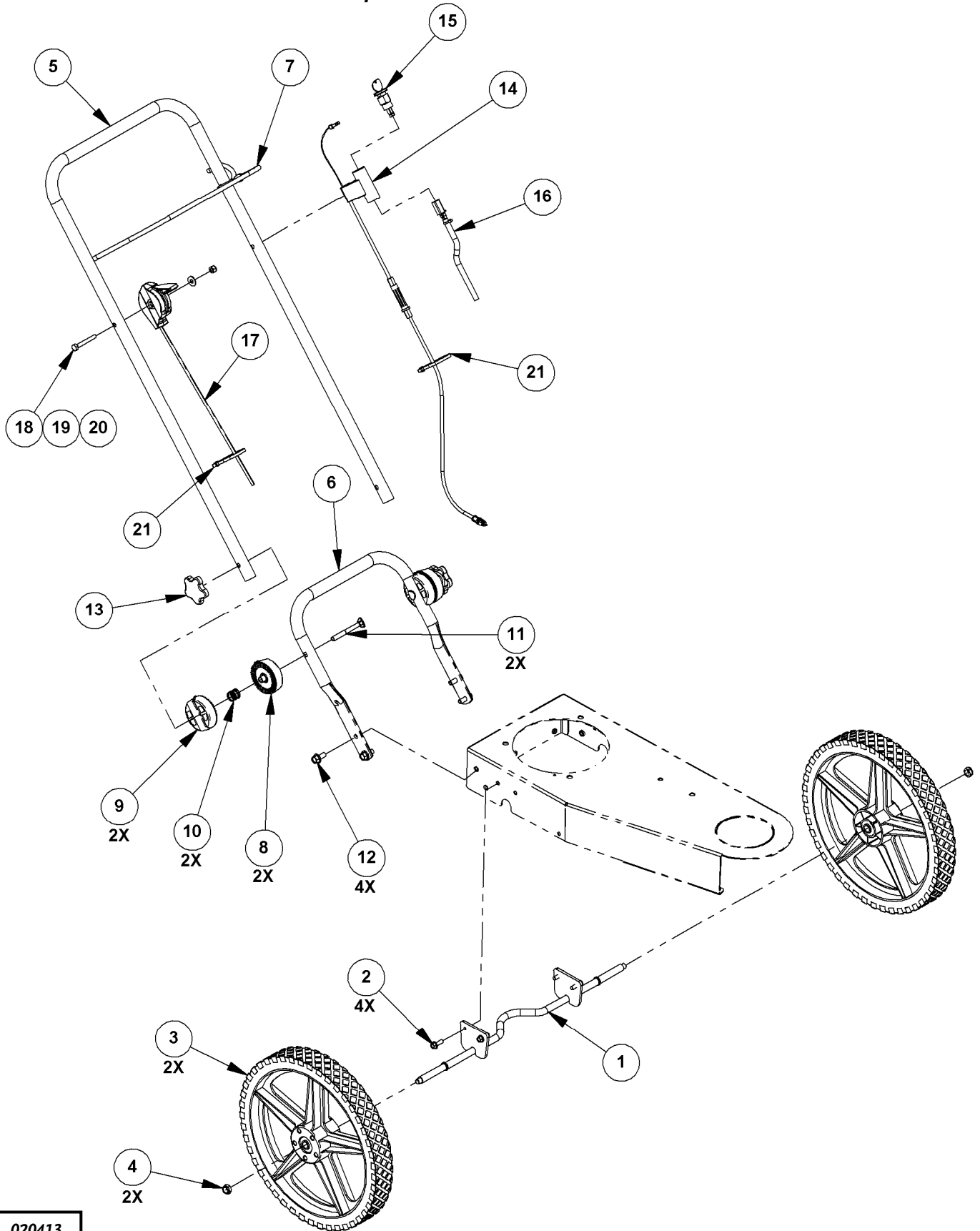
020413

Parts List – Handlebar and Axle Assembly

NOTE: Part numbers listed are available through DR Power Equipment.

<u>Ref#</u>	<u>Part#</u>	<u>Description</u>	<u>Ref#</u>	<u>Part#</u>	<u>Description</u>
1	311071	Axle, Welded	14	311141	Cable, PTO, Snap-On
2	311171	Screw, HWH, 1/4-20 X .75", Taptite		312971	Cable, PTO, Snap-On, Switch Mount (E/S Only)
3	311081	Wheel, 14", 5 Spoke (Premier And Premier Plus Only)	15	113081	Switch, W/ Key & Hardware, 2 Pos (E/S Only)
	312901	Wheel, 16", 5 Spoke	16	312991	Wire Harness, TR4, B&S/Kohler (E/S Only)
4	152331	Nut, Nylon Lock, 7/16-20, LP		313001	Wire Harness, TR4, Subaru (E/S Only)
5	311111	Handlebar, Upper, (Premier Only)	17	143971	Cable, Throttle (Premier Plus Only)
	312871	Handlebar W/Grip, Upper, Ergonomic		312891	Cable, Throttle, Run Detent
6	311101	Handlebar, Lower	18	114561	Bolt, HCS, 1/4-20 X 2", GR2, ZP (Premier Plus only)
7	311131	Bail Bar, Straight, (Premier Only)		313061	Bolt, HCS, 1/4-20 X 2-1/4", GR5, ZP
	312881	Bail Bar, Ergonomic	19	112381	Washer, Flat, 1/4" USS (Premier Plus Only)
8	191351	Adjuster, Handlebar, Inside	20	110731	Nut, Nylon Lock, 1/4-20, ZP
9	143731	Adjuster, Handlebar, Outside	21	112141	Cable Tie, 7-1/2" L
10	143931	Spring, C, .720" OD, .063" Wire, .63", ZP			
11	144641	Bolt, C-Head, 5/16-18 X 3"			
12	311161	Screw, HWH, 5/16-18 X .75", Taptite			
13	311121	Knob, 2.25" Dia, 5/16-18 Insert			

Schematic – Handlebar and Axle Assembly



020413

Notes:

Notes:

Daily Checklist for the DR TRIMMER/MOWER

To help maintain your DR TRIMMER/MOWER for optimum performance, we recommend you follow this checklist each time you use your machine.

WARNING

Before performing any maintenance procedure or inspection, stop the engine, wait five (5) minutes to allow all parts to cool. Disconnect the spark plug wire, keeping it away from the spark plug.

- [] OIL: With the machine on a level surface, check the Engine oil level with the Dipstick and add more if necessary (only add oil to the level indicated on the Dipstick - do not overfill). Use SAE 30 high detergent motor oil.
- [] GAS: Fill the Fuel Tank with clean, fresh, unleaded gasoline.
- [] ENGINE AIR COOLING SYSTEM: It is very important to keep the Engine clean of debris. Remove grass and other built-up materials from the Air Intake Screen before, during, and after you mow. Regularly remove debris from the Blower Housing and Cooling Fins. A dirty Engine retains heat and can cause damage to the internal Engine parts.
- [] CUTTING CORDS: Replace broken or frayed Cords.
- [] MOW-BALL® and LINE PLATES: Check the Mow-Ball® and Line Plates for wear and replace as needed.
- [] GENERAL CONDITION: Check the general condition of the machine, e.g.; nuts, bolts, welds etc.

End of Season and Storage

NOTE: Please refer to the Engine Owner's Manual for engine-specific procedures.

WARNING

- Before performing any maintenance procedure or inspection, stop the engine, wait five (5) minutes to allow all parts to cool. Disconnect the spark plug wire, keeping it away from the spark plug.
- Never store the DR Trimmer/Mower with fuel in the fuel tank inside a building where ignition sources are present, such as hot water and space heaters, clothes dryers and the like. If you are going to drain the fuel tank, do this outdoors. Allow the engine to cool before storing in any enclosure.
- When not in use, your DR Trimmer/Mower should be stored out of the reach of children and in a dry location.

- Check the Belt for wear.
- Change the Engine oil. This will help to eliminate sludge and acids in the Engine.
- Remove the Spark Plug and pour about 1 ounce of motor oil into the cylinder hole. Reinstall the Plug and pull the Recoil Starter Rope until you feel strong resistance. This will coat the piston and seat the valves to prevent moisture buildup.
- Clean or replace the Engine Air Filter.
- Clean any dirt and debris from the cylinder head cooling fins, carburetor linkage, blower housing, debris screen, and muffler area of the Engine.
- Remove any wrapped weeds from the Mow-Ball®, Wheel Spokes, and Axle. Clean grass and debris from the top and underneath the Trimmer Frame.
- Check to make sure the operator controls are moving freely. Lubricate the Throttle.
- If your Engine has a Fuel Filter, replace it.
- If your DR TRIMMER/MOWER will be idle for more than 30 days, we recommend using a gas stabilizer. This will prevent sediment from gumming up the Carburetor. If there is dirt or moisture in the gas or Tank, remove it by draining the Tank. Completely fill the Tank with fresh, unleaded gas and add the appropriate amount of stabilizer or gasoline additive. Run the Engine for a short time to allow the additive to circulate.



75 MEIGS ROAD, P.O. BOX 25, VERGENNES, VERMONT 05491